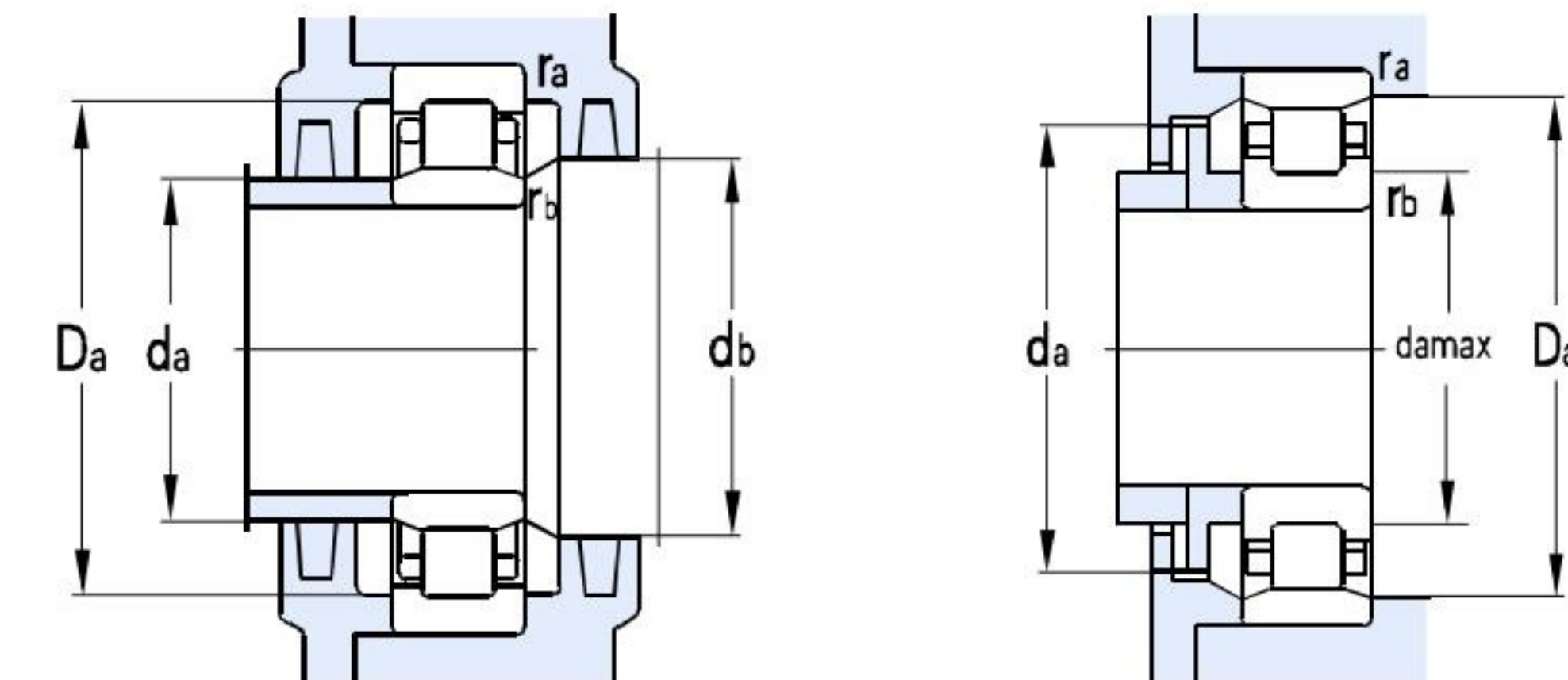
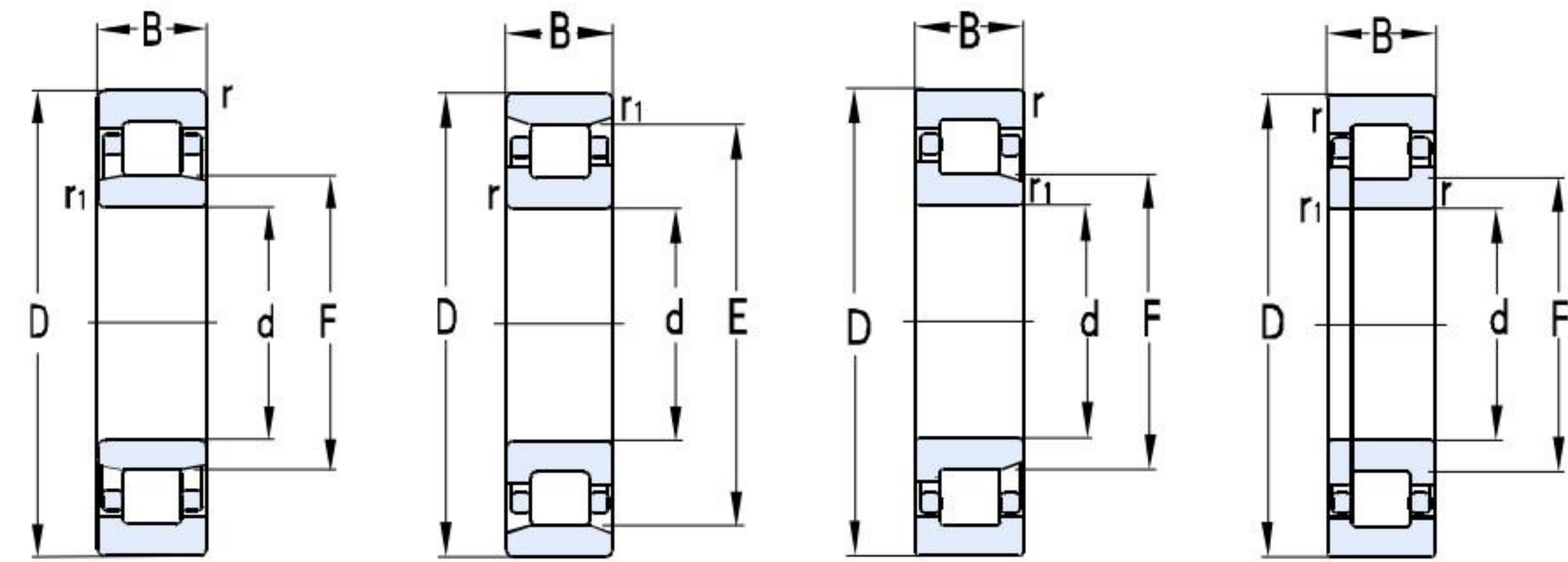
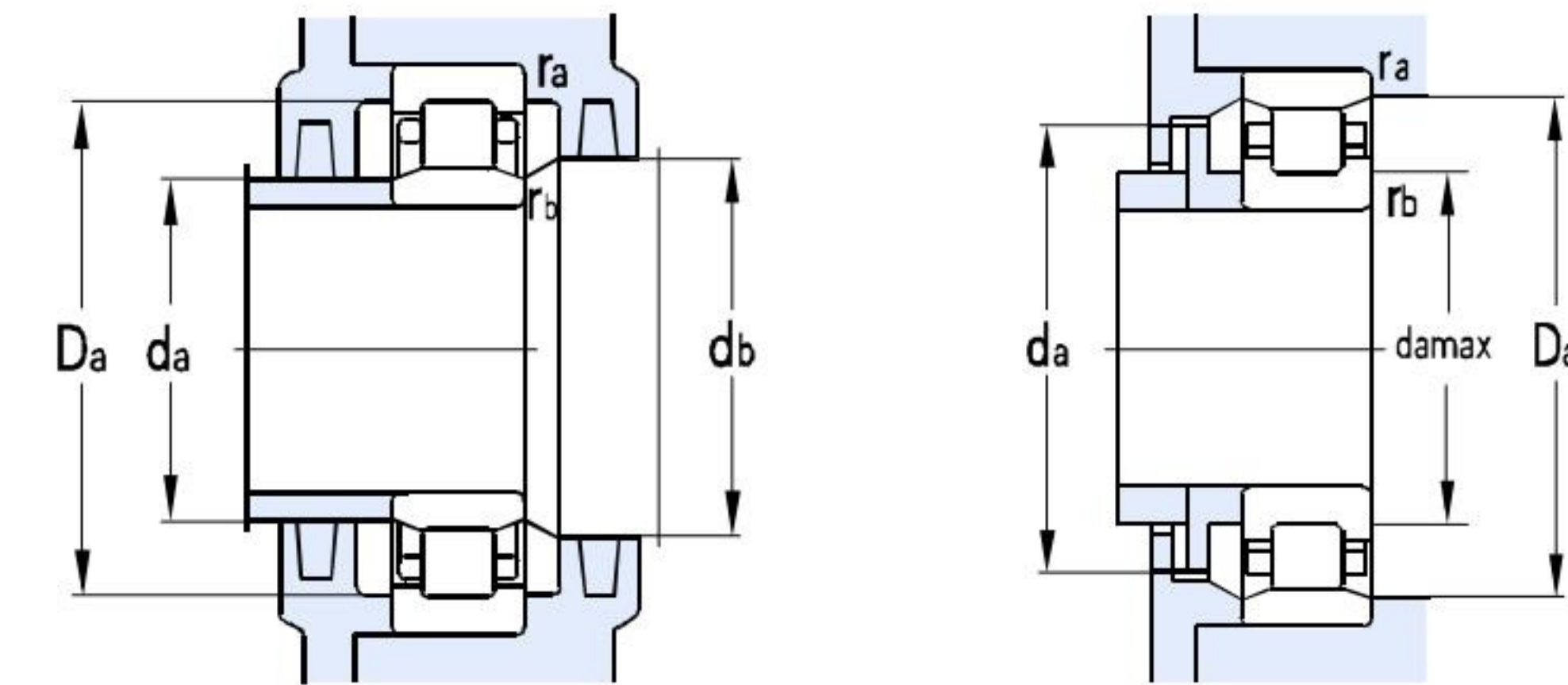
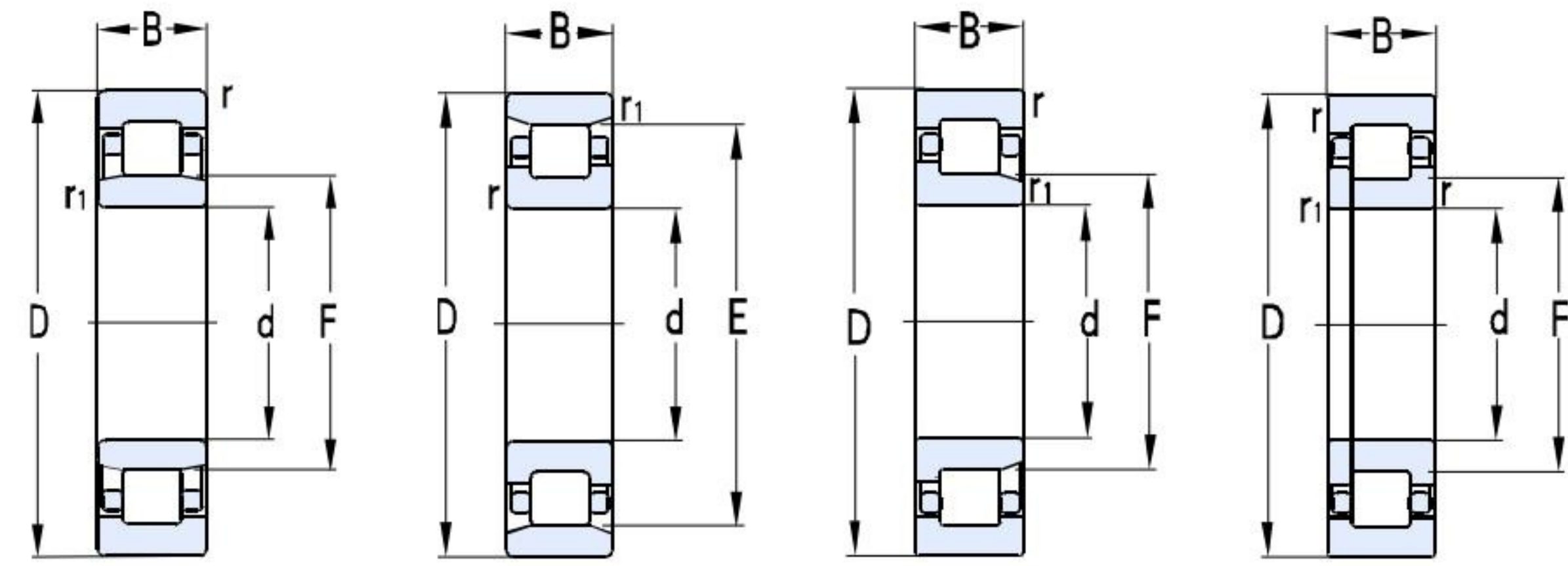


Single Row Cylindrical Roller Bearings



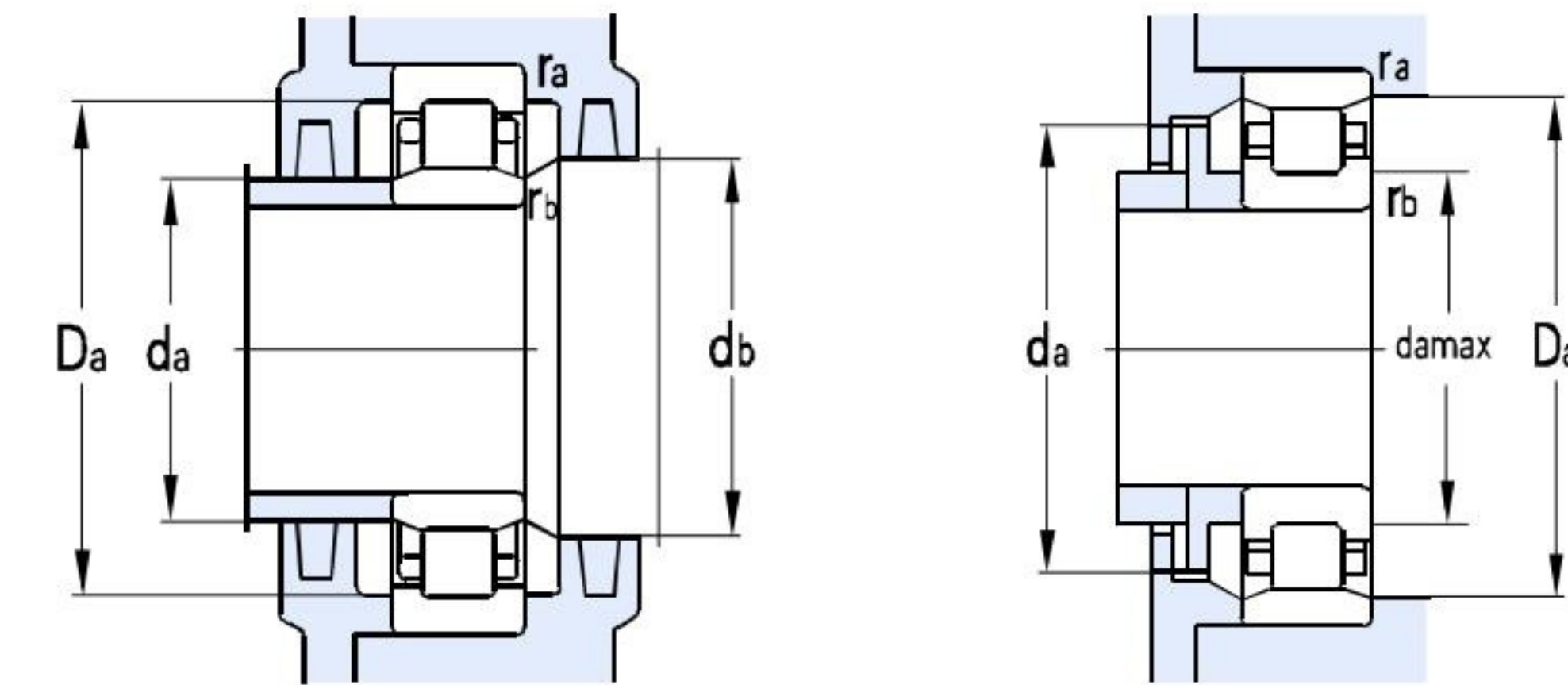
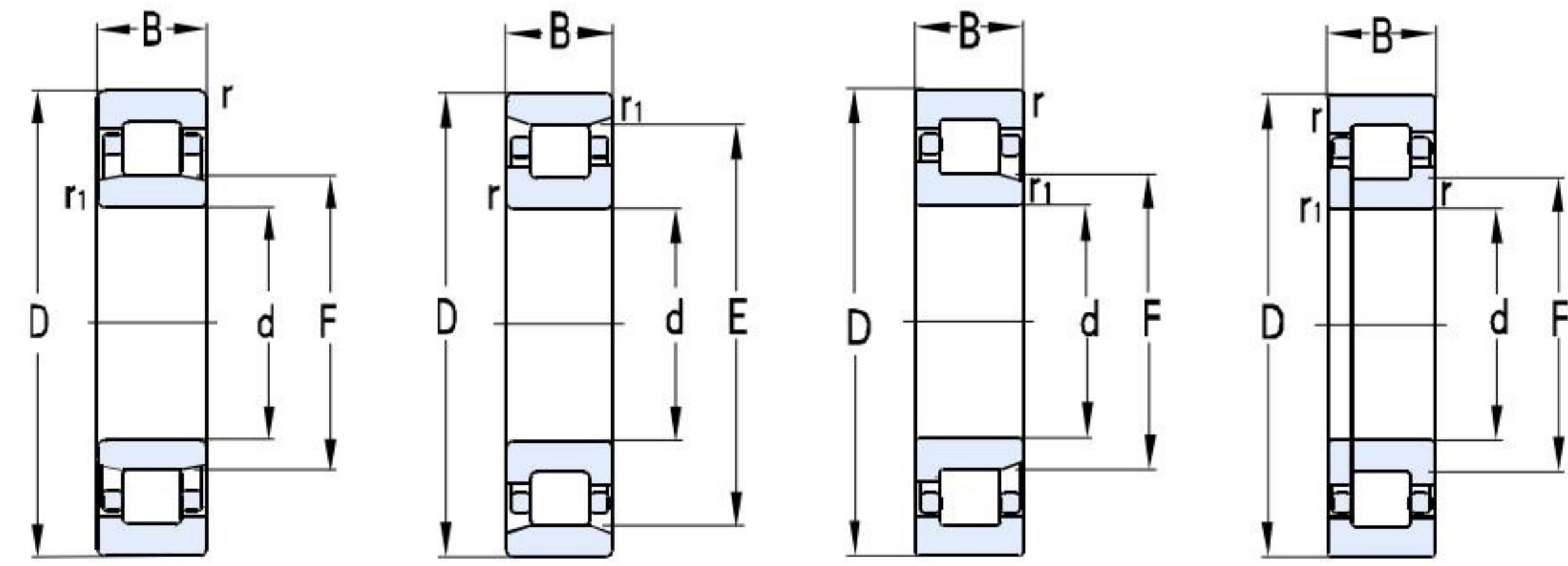
Basic Dimensions							Basic Load Ratings		Limit Rotational Speed		Bearing Part Number	Mounting Dimensions						Weight	
d	D	B	rsmin	r1smin	F	E	Cr	Cor	Grease	Oil		da min	da max	db min	Da max	Da max	ra max	rb max	
mm							KN		r/min			mm						Kg	
25	52	15	1	0.6	31.5		28.6	24.0	11000	14000	NU205EM	29	30	36	47		1	0.7	0.159
	62	17	1.1	1.1	34		44.2	37.0	9500	12000	NJ305M	31.5	32	40	55.5		1	1	0.267
	62	24	1.1	1.1	35		53.4	52	9500	12000	NJ2305M/HA	31.5	32	40	55.5		1	1	0.453
30	55	13	1	0.6	36.5		18.2	18	12000	15000	NU1006M	34	35	38	50		1	0.6	0.138
	62	16	1	0.6	37.5		37.4	35.0	9500	12000	NJ206EM	34	36	43	57		1	0.6	0.264
	62	20	1	0.6	37.5		46.2	70.5	9500	12000	NJ2206EM	34	36	43	57		1	0.6	0.297
	72	19	1.1	1.1	40.5		53.3	51.0	9000	11000	N306M	36.5	39	47	65.5		1	1	0.403
	72	27	1.1	1.1	42		72.6	74	9000	11000	NUP2306M	36.5		47	65.5		1	1	0.585
	72	27	1.1	1.1	40.5		72.6	75.0	8000	9500	NU2306EM	36.5		47	65.5		1	1	0.593
	90	23	1.5	1.5	45		77.6	65.5	7500	9000	NJ406M	38	43	52	82		1.5	1.5	0.882
35	62	14	1	0.6	42		39.9	36.5	9000	11000	NU1007M	38.2	41	44	56		1	0.6	0.173
	72	17	0.6	1.1		64	53.2	46.5	8500	10000	N207EM	41.5	62		68	66	1	0.6	0.331
	72	23	1.1	1.1	44		66.1	59	8500	10000	NJ2207EM	39	42	50	65.5		1	0.6	0.363
	80	21	1.5	1.5		70.2	57.0	60.0	8000	9500	N307M	41.5	44		73.5	72	1.5	1	0.595
	80	21	1.5	1.1	46.2		71.3	70.0	8000	9500	NJ307EM	41.5	44	48	72		1.5	1	0.604
	80	31	1.5	1.5	46.2		77.0	80.0	7000	8500	NJ2307M	41.5	44	53	72		1.5	1	0.833
	80	31	1.1	1.1	46.2		101	100	7000	8500	NU2307EM	41.5	44	48	72		1.5	1	0.81
	100	25	1.5	1.5	53		89	85	6700	8000	NJ407M	44	49	59	85		1.5	1.5	1.10
40	68	15	1	0.6	47		26.4	28.0	9500	12000	NU1008M	42	45	50	65		1	0.6	0.231
	80	18	1.1	1.1		71.5	55.6	55.5	7500	9000	N208EM	46.5	69		73.5	73	1	1	0.425
	80	23	1.1	1.1	49.5		77.5	77.0	7500	9000	NJ2208EM	46.5	48	56	73.5		1	1	0.539
	90	23	1.5	1.5		80	88.0	87.0	6700	8000	N308EM	48	78		82	82	1.5	1.5	0.794
	90	33	1.5	1.5	52		122	116	6300	7500	NU2308EM	48	49	55	82		1.5	1.5	1.01
45	85	19	1.1	1.1	55		67.5	72.5	6700	8000	NJ209M	51.5	53	61	78.5		1	1	0.487
	85	19	1.1	1.1	54.5		67.5	72.5	6700	8000	NJ209EM	51.5	53	61	78.5		1	1	0.51
	85	23	1.1	1.1	54.5		80.8	84.5	5600	6700	NU2209EM	51	53	58	79		1	1	0.635
	100	25	1.5	1.5		86.5	106	109	6300	7500	N309M	53	58		92	90.5	1.5	1.5	0.920
	100	25	1.5	1.5		88.5	106	109	6300	7500	N309EM	53	86		92	91	1.5	1.5	0.959
	100	36	1.5	1.5	58.5		152	164	5600	6700	NJ2309EM	53	56	67	92		1.5	1.5	1.52
	120	29	2	2		100.5	124	123	5600	6700	N409M	54	97		111	103	2	2	1.67
50	80	16	1	0.6	57.5		44.5	53.2	8500	10000	NJ1010M	54	56	60	75		1	0.6	0.316
	90	20	1.1	1.1		80.4	57.0	64.0	6300	7500	N210M	56.5	79		83.5	82	1	1	0.559

Single Row Cylindrical Roller Bearings



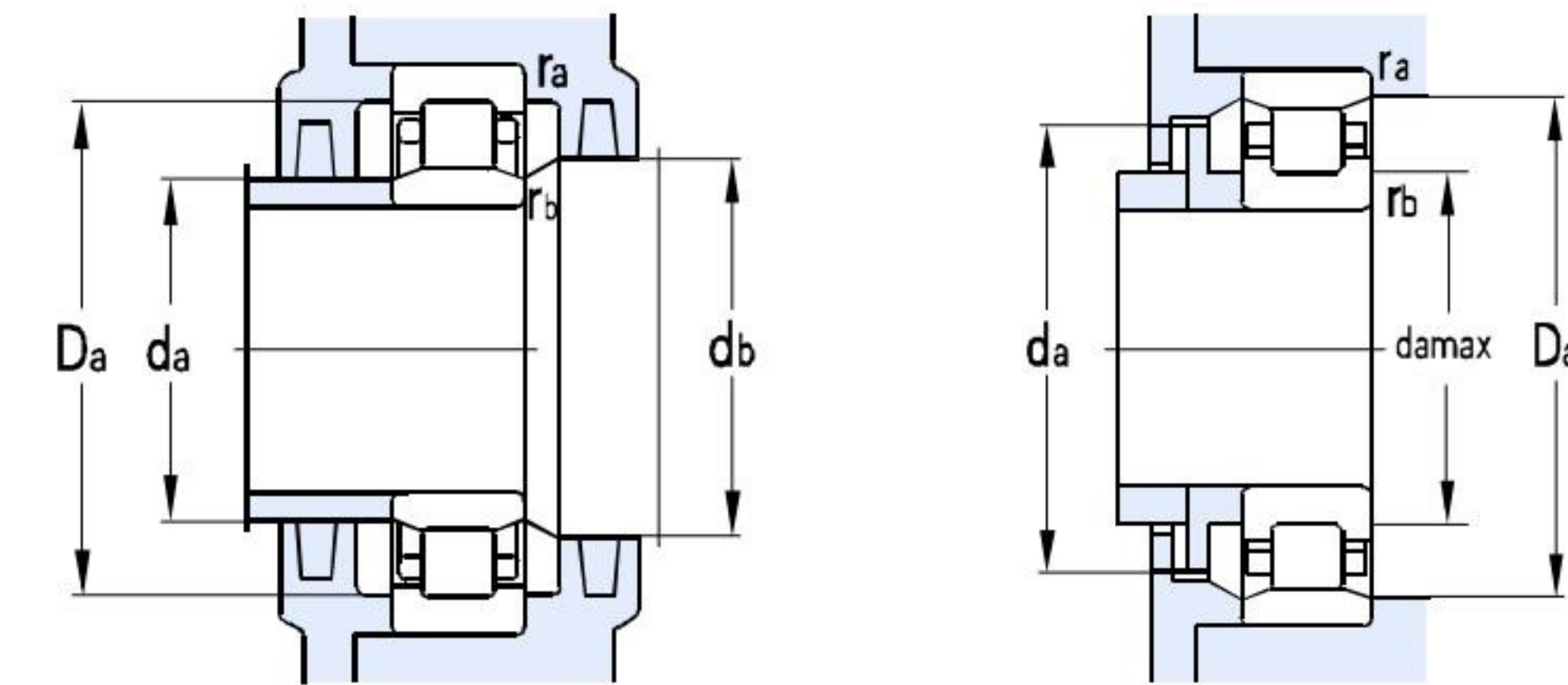
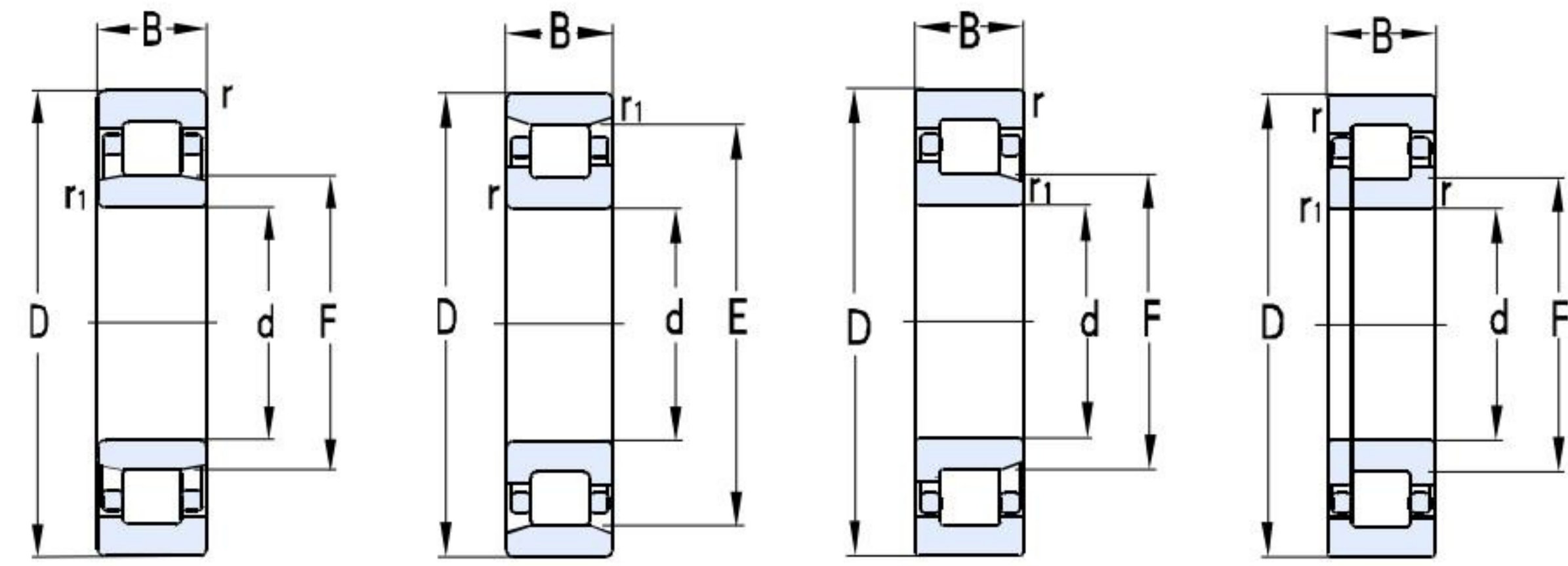
Basic Dimensions							Basic Load Ratings		Limit Rotational Speed		Bearing Part Number	Mounting Dimensions						Weight	
d	D	B	rsmin	r1smin	F	E	Cr	Cor	Grease	Oil		da min	da max	db min	Da max	Da max	ra max		rb max
mm							KN		r/min			mm							Kg
	90	20	1.1	1.1	59.5	81.5	62.5	67.5	6300	7500	N210EM	56.5	79	62	83.5	82	1	1	0.566
	90	23	1.1	1.1		86.1	90	6300	7500	NU2210EM	56.5	57	83.5		82	1	1	0.65	
	110	27	2	2		95	97.0	5000	6000	N310M	59	93	101		97	2	2	1.17	
	110	27	2	2	65	97	121	125	5000	6000	N310EM	59	95	67	101	99	2	2	1.30
	110	40	2	2		150	170	5000	6000	NU2310M	59	61	101		2	2	1.91		
	110	40	2	2		177	198	5000	6000	NJ2310EM	59	62	73		101	2	2	1.92	
	130	31	2.1	2.1	110	151	151	5000	6000	N410M	61	107	119	113	2	2	2.18		
55	90	18	1.1	1	64.5	85.5	54.4	66	7000	8500	NU1011M	59.6	63	67	84	82	1	1	0.479
	100	21	1.5	1.5		88.5	73.2	84.5	6000	7000	NF211M	63	93.5		92	1.5	1.5	0.806	
	100	21	1.5	1.5		90	91.7	106	6000	7000	NF211E	63	93.5		92	1.5	1.5	0.757	
	100	25	1.5	1.1	66	108	122	6000	7000	NJ2211EM	61.5	64	73	92	92	1.5	1	0.783	
	120	29	2	2		104.5	148	136	4800	5600	N311M	64	102	111	107	2	2	1.65	
	120	29	2	2		106.5	148	144	4800	5600	N311EM	64	104	111	109	2	2	1.60	
	100	33.3	1.5	1.1	70.5	88.9	73.7	85.0	6000	7000	N3211M	63	87	93.5	92	1.5	1	1.20	
	120	43	2	2		156	174	4800	5600	NU2311M	64	68	73	111	2	2	2.43		
	120	43	2	2		106.5	220	246	4800	5600	N2311E	64	104	111	110	2	2	2.56	
	140	33	2.1	2.1	117.2	162	168	4800	5600	N411M	66	114	129	119	2	2	2.86		
60	95	18	1.1	1	73.5	85.5	50.6	66.0	6700	8000	N1012M	65	83	80	88.5	87	1	1	0.432
	110	22	1.5	1.5		100	103	102	5300	6300	N212EM	65	70		102	1.5	1.5	0.910	
	110	22	1.5	1.5		97.5	80.5	92.5	5300	6300	N212M	68	102		102	1.5	1.5	0.937	
	110	28	1.5	1.5	72	91.3	131	5300	6300	NUP2212M	68	80	102	1.5	1.5	1.27			
	110	28	1.5	1.5		139	145	5300	6300	NJ2212EM	68	70	80	102	1.5	1.5	1.23		
	130	31	2.1	2.1		113	163	152	4300	5000	N312M	71	110	119	116	2	2	2.04	
	130	31	2.1	2.1	115	163	166	4300	5000	N312EM	71	112	119	118	2	2	2.06		
	130	46	2.1	2.1	113	190	217	4300	5000	N2312M	71	110	119	117	2	2	2.95		
	130	46	2.1	2.1	115	247	279	4300	5000	N2312E	71	112	119	118	2	2	2.93		
	140	51	2.5	2.5	122	268	310	4300	5000	N612M	72	119	128	125	2	2	3.96		
	150	35	2.1	2.1	127	193	202	4300	5000	N412M	71	124	139	130	2	2	3.29		
	65	120	23	1.5	1.5	79.6	105.6	109	125	4800	5600	N213M	73	103	81	112	111	1.5	1.5
120		23	1.5	1.5	108.5		118	133	4800	5600	NF213EM	73	80	112		111	1.5	1.5	1.19
120		31	1.5	1.5	122		154	4800	5600	NU2213M	73	76	112	1.5		1.5	1.65		
120		31	1.5	1.5	78.5	150	182	4800	5600	NU2213EM	73	76	81	112	1.5	1.5	1.61		
140		33	2.1	2.1		121.5	151	168	4000	4800	N313M	76	119	129	124	2	2	2.45	
140		33	2.1	2.1		124.5	201	185	4000	4800	N313EM	76	122	129	127	2	2	2.42	

Single Row Cylindrical Roller Bearings



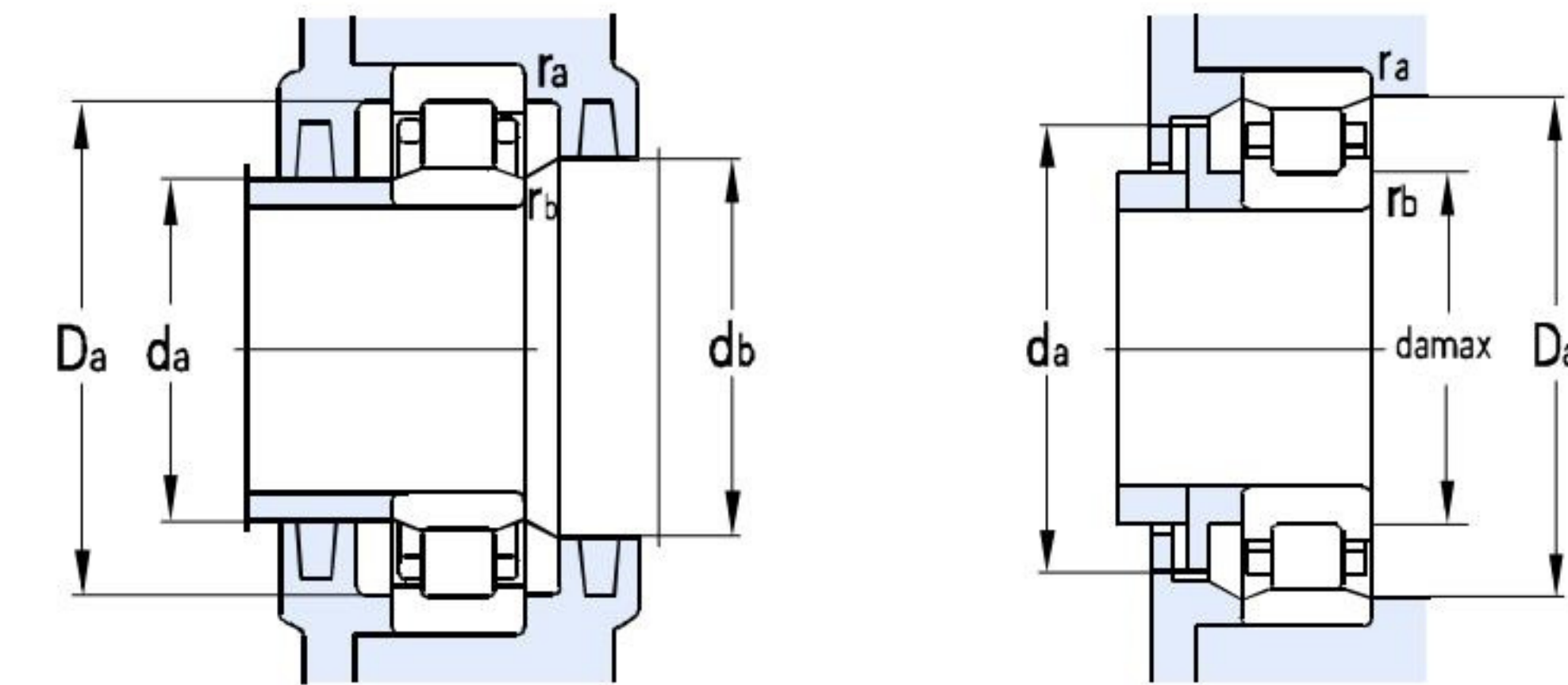
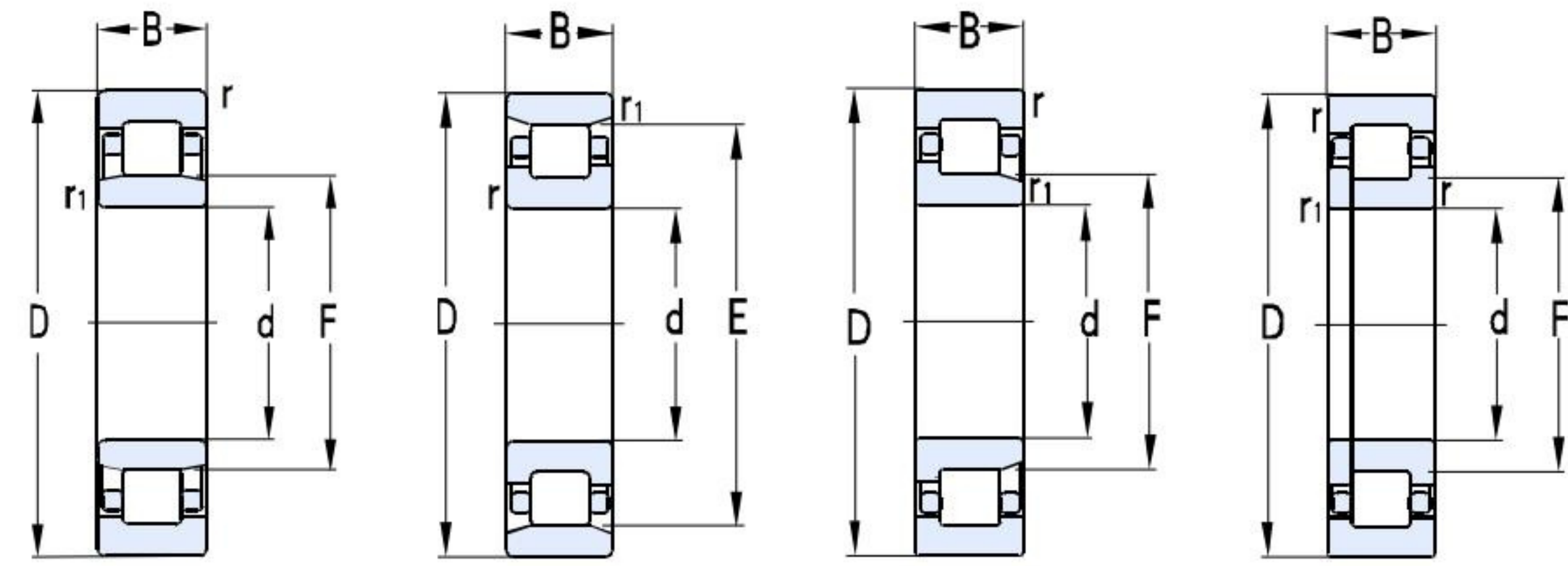
Basic Dimensions							Basic Load Ratings		Limit Rotational Speed		Bearing Part Number	Mounting Dimensions						Weight	
d	D	B	rsmin	r1smin	F	E	Cr	Cor	Grease	Oil		da min	da max	db min	Da max	Da max	ra max		rb max
mm							KN		r/min			mm						Kg	
	140	48	2.1	2.1	83.5		271	276	4000	4800	NU2313M	76	79	85	129				3.60
	140	48	2.1	2.1		124.5	271	305	4000	4800	NF2313E	76			129	127	2	2	3.60
	160	37	2.1	2.1		135.5	209	222	4000	4800	N413M	76	132		149	139	2	2	4.01
70	125	24	1.5	1.5		110.5	110	130	4500	5300	N214M	78	108		117	116	1.5	1.5	1.27
	125	24	1.5	1.5		113.5	130	152	4500	5300	N214E	78	111		117	116	1.5	1.5	1.29
	125	31	1.5	1.5		110.5	171	183	4500	5300	N2214M	78	81		117	100	1.5	1.5	1.68
	150	35	2.1	2.1		130	210	216	3600	4300	N314M	81	127		139	133	2	2	3.00
	150	35	2.1	2.1		133	224	242	3600	4300	N314EM	81	130		139	136	2	2	3.08
	150	35	2.1	2.1	89		224	226	3600	4300	NU314EM	82	86	91	138		2	2	3.45
	150	51	2.1	2.1	90		299	345	3600	4300	NU2314M	81	86	93	139		2	2	4.52
	150	51	2.1	2.1		133	299	345	3600	4300	N2314E	81	130		139	136	2	2	4.27
	180	42	3	3		151	262	283	3600	4300	N414M	83	148		167	155	2.5	2.5	5.66
	180	42	3	3		152	262	283	3600	4300	N414	83	148		167	155	2.5	2.5	6.40
	180	42	3	3	99		262	283	3600	4300	NU414M	83	97	102	167		2.5	2.5	5.79
180	42	3	3	100		262	283	3600	4300	NJ414M	83	97	113	167		2.5	2.5	5.94	
75	115	20	1.1	1	85		64.9	83.0	5600	6700	NU1015M	80	83	87	108.5		1	1	0.739
	130	25	1.5	1.5		116.5	130	148	4500	5300	N215M	83	114		122	121	1.5	1.5	1.40
	130	25	1.5	1.5		118.5	142	173	4500	5300	N215E	83	116		122	121	1.5	1.5	1.38
	130	31	1.5	1.5	88.5		177	197	4500	5300	NU2215M	83	86	91	122		1.5	1.5	1.75
	130	31	1.5	1.5		116.5	177	197	4500	5300	N2215M	83	86		122	121	1.5	1.5	1.77
	160	37	2.1	2.1	95		266	285	3400	4000	NU315EM	86	92	97	149		2	2	3.62
	160	37	2.1	2.1		143	266	285	3400	4000	N315E	86	140		149	146	2	2	3.59
	160	37	2.1	2.1		139.5	240	252	3400	4000	N315M	86	140		149	146	2	2	3.59
	160	37	2.1	2.1	95.5		240	252	3400	4000	NU315M	86	92	97	149		2	2	3.56
	160	55	2.1	2.1	95.5		361	345	3400	4000	NJ2315M	86	91	107	149		2	2	5.86
	190	45	3	3		160.5	300	325	3400	4000	N415M	88	101		177		2.5	2.5	6.86
80	125	22	1.1	1		113.5	78.1	100	5300	6300	N1016M	85	110		118.5	116.5	1	1	1.00
	140	26	2	2		125	140	158	4000	4800	N216M	89	123		131	128	2	2	1.66
	140	26	2	2		127.3	152	184	4000	4800	N216E	89	125		131	130	2	2	1.67
	140	33	2	2	95.3		190	233	4000	4800	NU2216M	89	93	98	131		2	2	2.32
	140	33	2	2		127.3	201	260	4000	4800	N2216E	89	124		131	130	2	2	2.16
	170	39	2.1	2.1		151	260	275	3200	3800	N316M	91	144		159		2	2	4.30
	140	44.5	2	2	95.28		217	305	4000	4800	NU5216	88	93	97	132		1.5	1.5	3.03
	170	58	2.1	2.1		147	394	420	3200	3800	N2316M	91	144		159		2	2	6.15

Single Row Cylindrical Roller Bearings



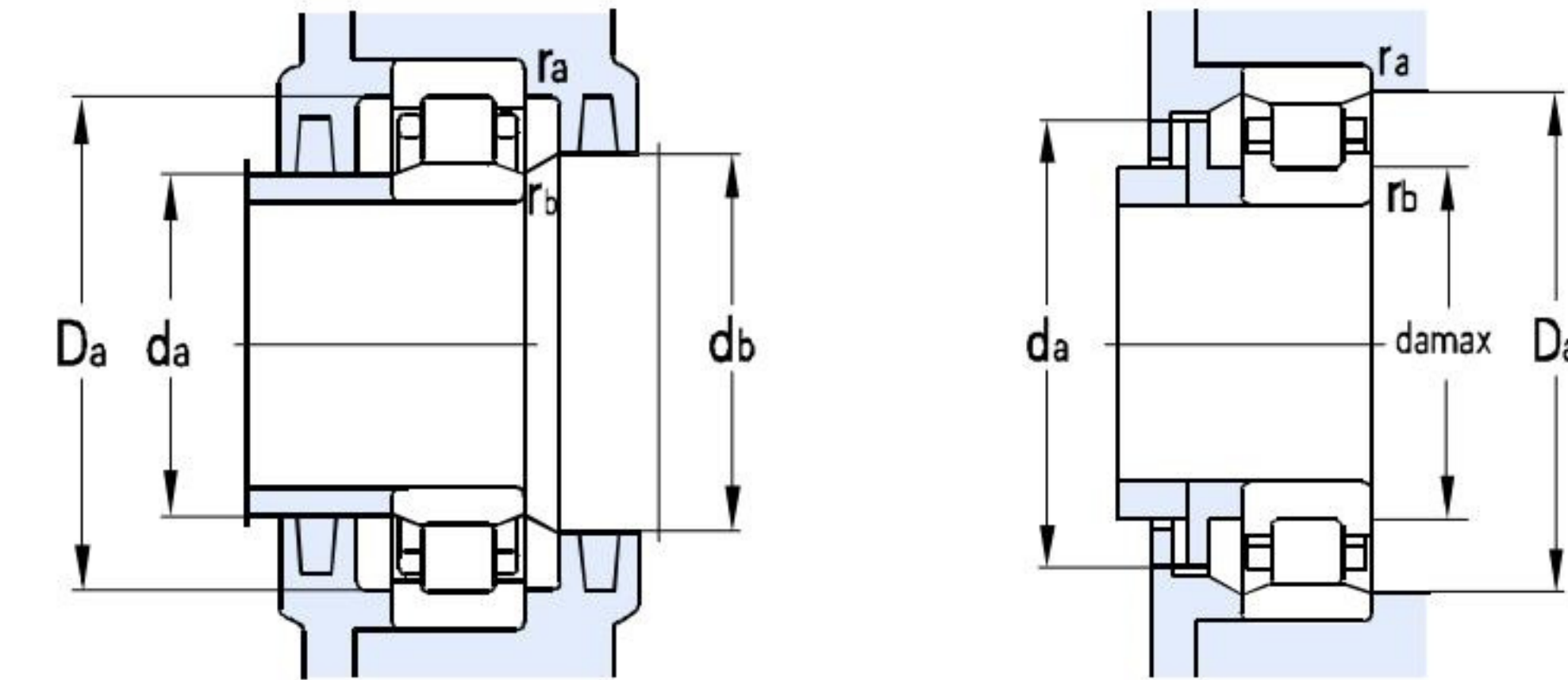
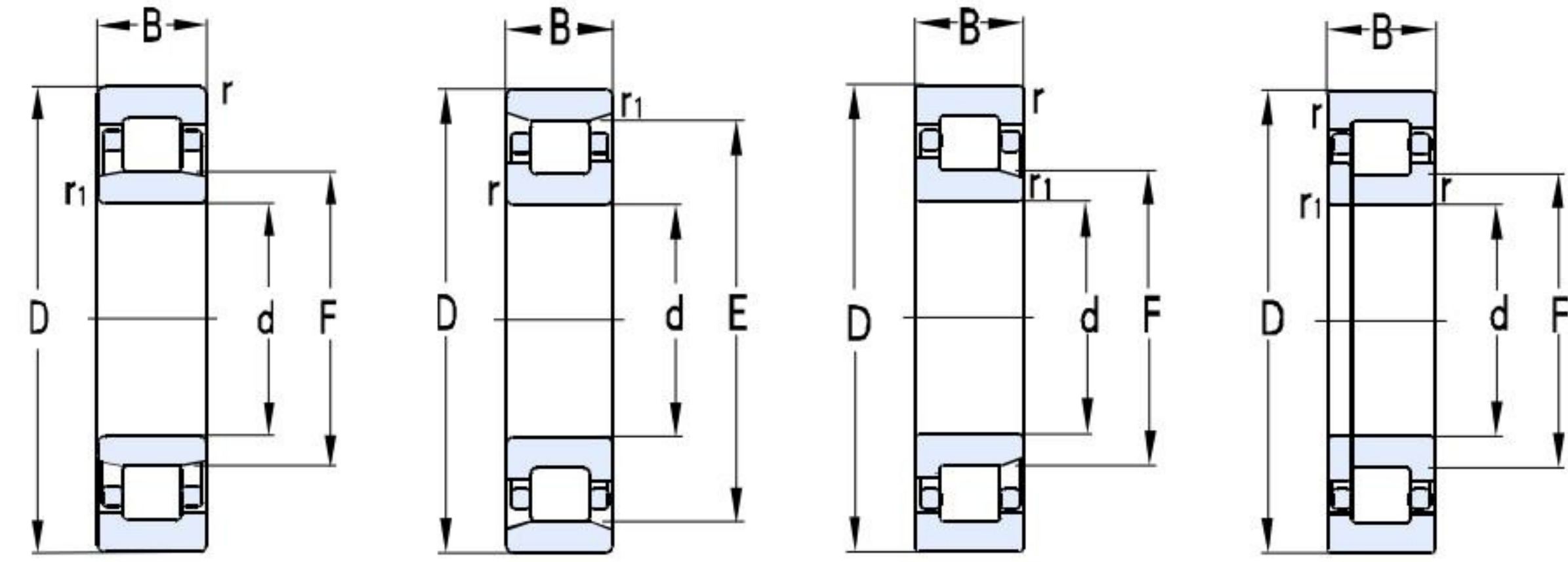
Basic Dimensions							Basic Load Ratings		Limit Rotational Speed		Bearing Part Number	Mounting Dimensions						Weight	
d	D	B	rsmin	r1smin	F	E	Cr	Cor	Grease	Oil		da min	da max	db min	Da max	Da max	ra max		rb max
mm							KN		r/min			mm							Kg
	170	58	2.1	2.1	101		394	435	3200	3800	NJ2316EM N416M	91	98	113	159		2	2	6.62 8.02
	200	48	3	3		170	341	375	3200	3800		93	167		187		2.5	2.5	
85	150	28	2	2		133.8	165	191	3800	4500	N217M	94	132		141	139	2	2	2.08
	150	28	2	2		136.5	181	217	3800	4500	N217E	94	134		141	139	2	2	2.08
	150	36	2	2	101.8		238	266	3800	4500	NU2217M	94	98	103	141		2	2	2.8
	150	36	2	2	100.5		238	279	3800	4500	NU2217EM	94	98	103	141		2	2	2.82
	180	41	1.1	1.1	108		323	360	3000	3600	NJ317EM	98	105	111	167		2.5	2.5	5.27
	150	49.2	2	2	102		223	310	3800	4500	NU3217M	94	98	103	141		2	2	3.88
	180	60	3	3	108		415	467	3000	3600	NJ2317M	96	103	120	169		2.5	2.5	7.81
	210	52	4	4		179.5	385	425	3000	3600	N417M	101	176		194	183	3	3	9.48
90	140	24	1.5	1.1	103		90	114	3600	4300	NJ1018M	96.5	101	106	132		1.5	1	1.38
	160	30	2	2		143	162	209	3600	4300	N218M	99	140		151	148	2	2	2.64
	160	30	2	2		145	198	241	3600	4300	N218E	99	142		151	148	2	2	2.49
	160	40	2	2		143	235	299	3600	4300	N2218M	99	105		158	151	2	2	3.62
	160	40	2	2	107		266	335	3600	4300	NUP2218EM	104		117	149		2		3.59
	160	52.4	2	2	107.2	8	281	390	3600	4300	NU3218A	99	104	110	151		2	2	4.50
	190	43	3	3		165	319	342	2800	3400	N318M	103	162		177	168	2.5	2.5	6.05
	190	43	3	3		169.5	347	385	2800	3400	N318EM	103	166		177	173	2.5	2.5	5.99
	190	43	3	3	115		396	505	2800	3400	NJ2318M	103	110	127	177		2.5	2.5	9.29
	190	64	3	3	113.5		475	565	2800	3400	NJ2318E	103	110	127	177		2.5	2.5	8.84
	225	54	4	4		191.5	429	480	2800	3400	N418M	106	188		209	195	3	3	11.3
	95	145	24	1.5	1.1	108		117	166	4500	5300	NJ1019M	101.5	104	116	137		1.5	1
170		32	2.1	2.1		151.5	189	231	3400	4000	N219M	106	149		159	157	2	2	3.07
170		32	2.1	2.1		154.5	242	291	3400	4000	N219EM	106	152		159	157	2	2	3.19
170		43	2.1	2.1		151.5	309	315	3400	4000	N2219M	106	152		159	157	2	2	4.27
200		45	3	3		173.5	330	370	2600	3200	N319M	108	170		187	178	2.5	2.5	6.67
200		45	3	3		177.5	371	420	2600	3200	N319EM	108	174		187	181	2.5	2.5	7.00
200		67	3	3	121.5		485	565	2600	3200	NJ2319M	108	116	135	187		2.5	2.5	10.2
240		55	4	4		201.5	455	525	2600	3200	N419M	111	198		224	205	3	3	13.3
100	140	20	1.1	1.1	110		75.5	108	3600	4300	NU1920M	102	107	118	133		1	1	0.900
	150	24	1.5	1.1	113		94.5	129	3600	4300	NJ1020M	105	110	123	132		1	1	1.51
	180	34	2.1	2.1		160	250	290	3200	3800	N220M	111	157		169	163	2	2	3.45
	180	34	2.1	2.1		163	271	330	3200	3800	N220E	111	160		169	166	2	2	3.77

Single Row Cylindrical Roller Bearings



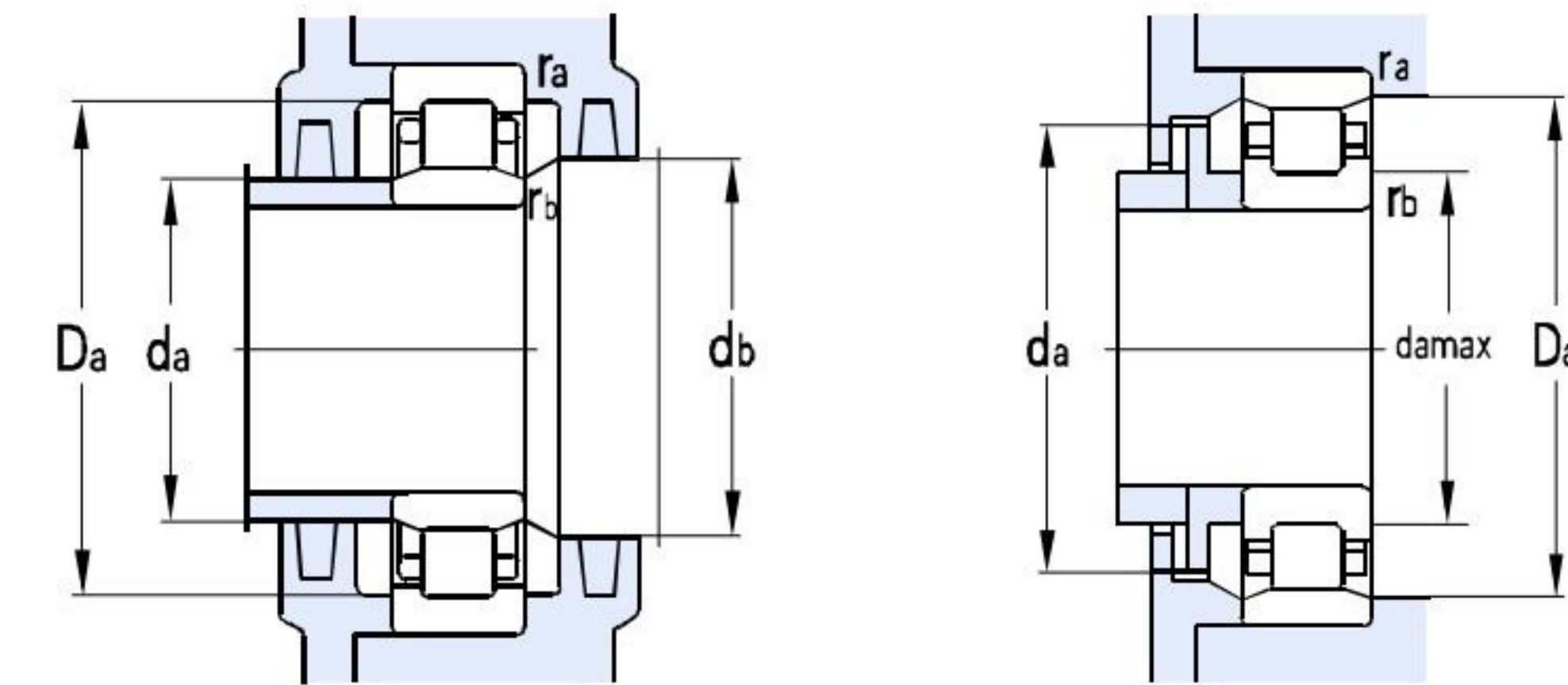
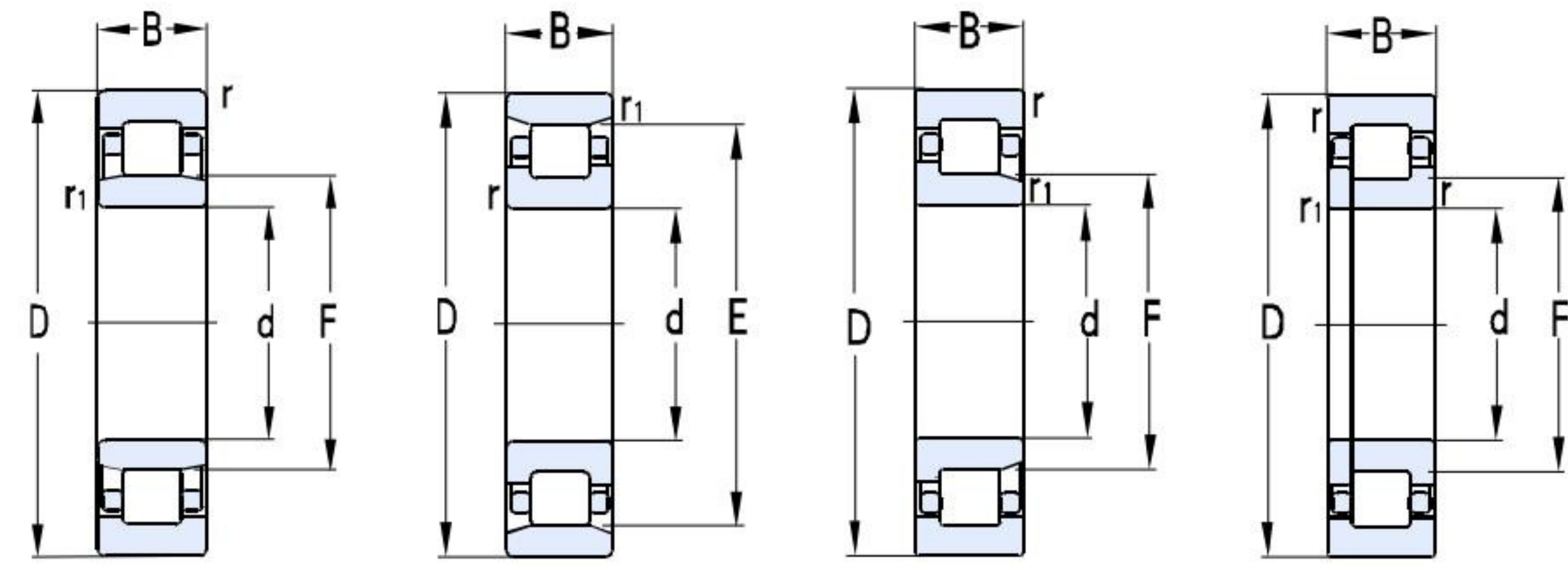
Basic Dimensions							Basic Load Ratings		Limit Rotational Speed		Bearing Part Number	Mounting Dimensions						Weight	
d	D	B	rsmin	r1smin	F	E	Cr	Cor	Grease	Oil		da min	da max	db min	Da max	Da max	ra max		rb max
mm							KN		r/min			mm							Kg
	180	46	2.1	2.1		160	349	385	3200	3800	N2220M	111	116		169	166	2	2	5.25
	180	46	2.1	2.1	119	160	361	470	3200	3800	NU2220E	111	116	122	169	166	2	2	5.08
	180	60.3	2.1	2.1	120	160	208	256	3200	3800	NU3220M	121	140	147	244		3	3	6.81
	215	41	3	3	125.1	160	391	440	2400	3000	NJ320EM	113	124	142	202		2.5	2.5	9.82
	215	47	3	3	129.5	160	428	418	2400	3000	NUP320M	113		142	202		2.5	2.5	9.05
	215	47	3	3		191.5	428	465	2400	3000	N320EM	113	188		202	195	2.5	2.5	9.67
	215	73	3	3		185.5	637	700	2400	3000	N2320M	113	182		202	190	2.5	2.5	13.1
	215	73	3	3		191.5	637	760	2400	3000	N2320E	113	188		202	195	2.5	2.5	12.9
	250	58	4	4		211	505	590	2400	3000	N420M	116	208		234	215	3	3	15.4
	105	160	26	2	1.1		145.5	119	168	4000	4800	N1021M	111.5	166		151	149	2	1
190		36	2.1	2.1		168.8	285	299	3000	3600	N221M	116	121		179	172	2	2	4.33
190		36	2.1	2.1	125	168.8	285	315	3000	3600	NJ221EM	116	198	137	179		2	2	4.52
190		65.1	2.1	2.1	126.8	168.8	352	500	3000	3600	NU3221M	116	122	128	179		2	2	8.22
225		87.3	3	3		196	660	910	2200	2800	N3321M	116	139		208	204	2.5	2.5	18.3
225		49	3	3		201	475	525	2200	2800	N321EM	118	130		212	203	2.5	2.5	10.5
260		60	4	4		220.5	576	655	2200	2800	N421M	121	151		244	224	3	3	17.2
110	170	28	2	1.1		155	143	194	3800	4500	N1022M	116.5	123		161	157	2	1	2.31
	170	28	2	1.1	125	155	143	194	3800	4500	NU1022M	116.5	175	128	161		2	1	2.32
	200	38	2.1	2.1		178.5	270	347	2800	3400	N222M	121	129		189	181	2	2	5.02
	200	38	2.1	2.1		180.5	318	370	2800	3400	N222EM	121	129		189	183	2	2	5.27
	200	53	2.1	2.1	132	180.5	418	490	2800	3400	NJ2222M	121	138	145	189		2	2	7.83
	200	69.8	2.1	2.1	132.5	180.5	451	655	2800	3400	NU3222M	121	129	135	189		2	2	9.92
	240	50	3	3		207	462	515	2000	2600	N322M	123	139		227	210	2.5	2.5	11.4
	240	50	3	3		211	503	575	2000	2600	N322E	123	204		227	215	2.5	2.5	11.2
	240	80	3	3		211	741	930	2000	2600	N2322E	123	138		227	215	2.5	2.5	17.5
	280	65	4	4		235	615	725	2000	2600	N422M	126	150		264	240	3	3	21.8
120	180	28	2	1.1	135	191.5	146	205	3400	4000	NU1024M	126.5	133	138	171		2	1	2.96
	215	40	2.1	2.1		191.5	350	390	2400	3000	N224M	131	140		204	195	2	2	6.11
	215	40	2.1	2.1	143.5	191.5	374	460	2400	3000	NJ224EM	131		156	204		2	2	6.68
	215	58	2.1	2.1		191.5	480	550	2400	3000	N2224M	131	188		204	195	2	2	8.92
	215	58	2.1	2.1	143.5	191.5	494	620	2400	3000	NJ2224EM	131	140	156	204		2	2	9.80
	215	76	2.1	2.1	145.14	191.5	517	780	2400	3000	NU3224M	131	140	146	204		2	2	12.4
	240	80	3.7	3.7	150	191.5	583	790	2400	3200	NJ624M	140	147	165	222		2.5	2.5	17.7
	260	55	3	3		226	580	645	1900	2400	N324M	133			247	230	2.5	2.5	15.1

Single Row Cylindrical Roller Bearings



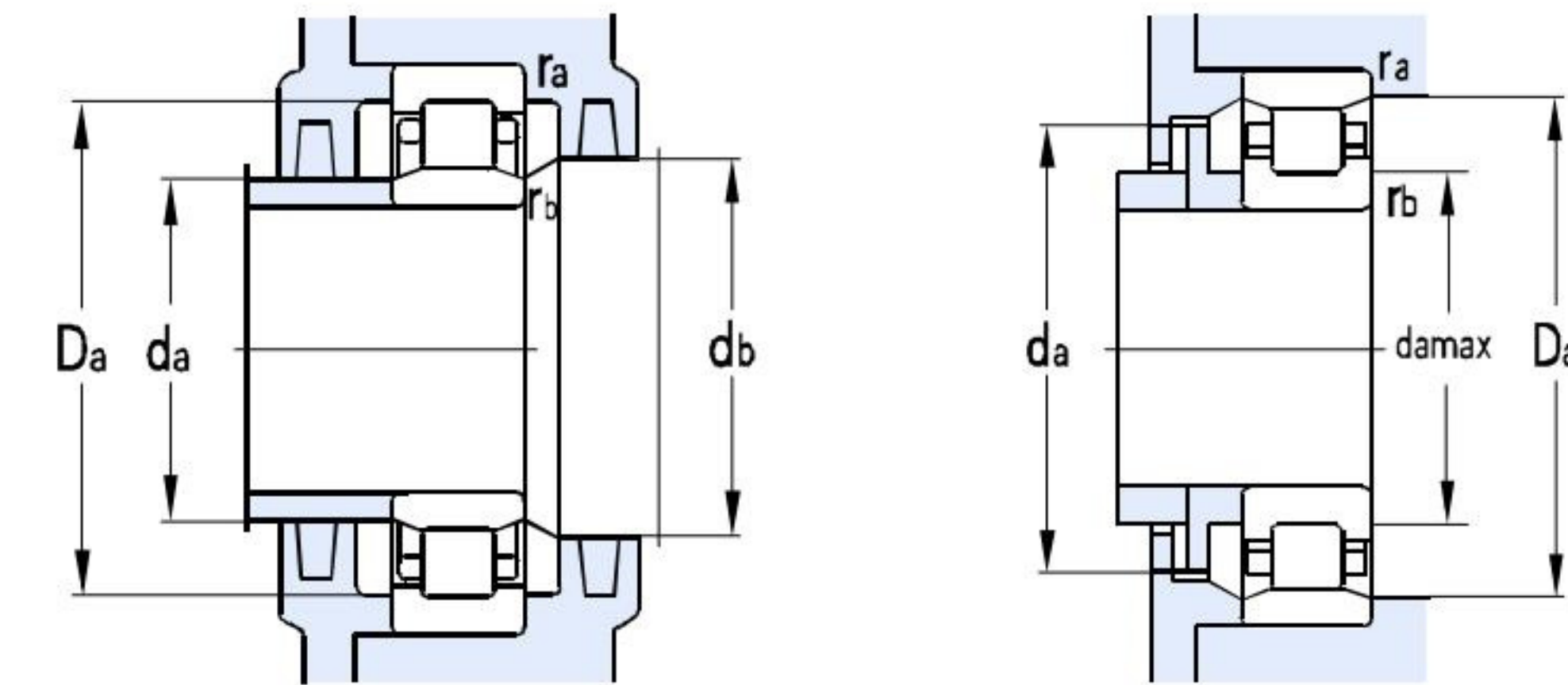
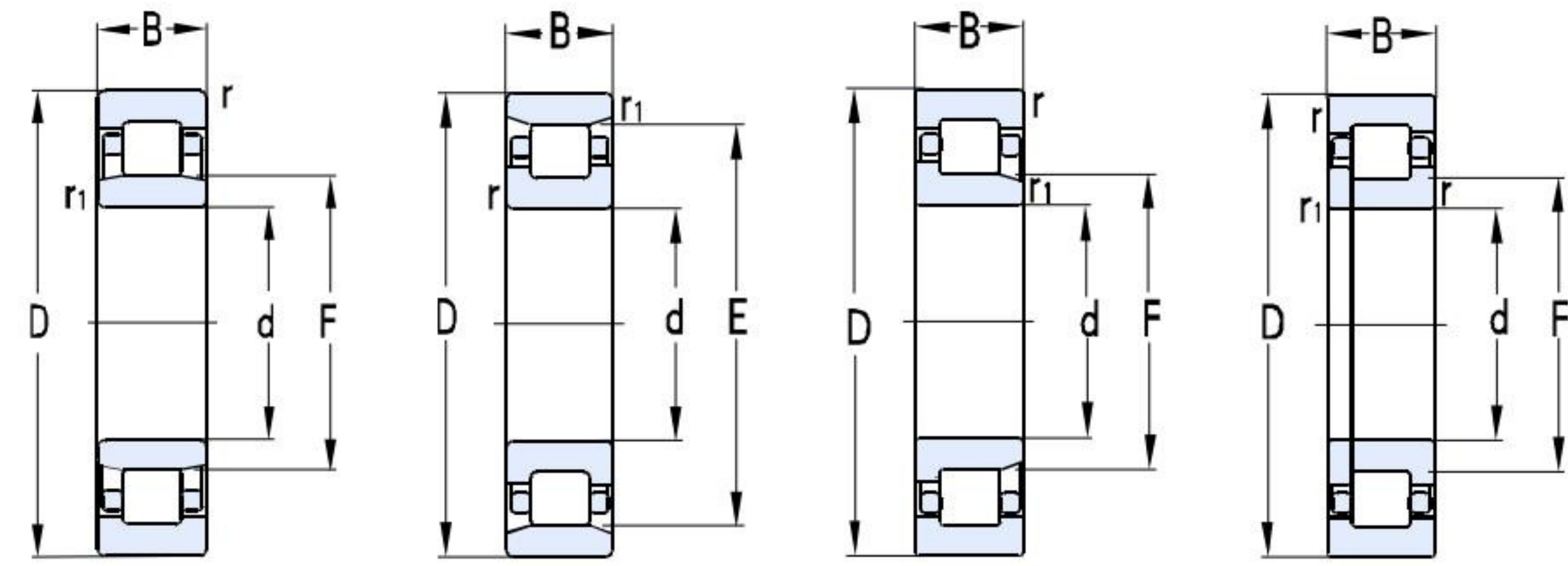
Basic Dimensions							Basic Load Ratings		Limit Rotational Speed		Bearing Part Number	Mounting Dimensions						Weight	
d	D	B	rsmin	r1smin	F	E	Cr	Cor	Grease	Oil		da min	da max	db min	Da max	Da max	ra max		rb max
mm							KN		r/min			mm						Kg	
	260	55	3	3	154		594	710	1900	2400	NU324EM	133	150	157	247		2.5	2.5	16.3
	260	86	3	3		226	869	970	1900	2400	N2324M	133	223		247	229	2.5	2.5	22.9
	260	106	3	3		230	990	1380	1900	2400	NF3324Q1	133	149	170	247		2.5	2.5	29.9
	310	72	5	5		260	770	915	1900	2400	N424M	140	254		290	266	4	4	29.0
130	180	50	1.5	1.5	150		220	555	1900	2400	NA4926	150	170	145	160		1.5	1.5	4.36
	200	33	2	1.1		182	192	274	3200	3800	N1026M	136.5	178		191	184	2	1	4.57
	200	42	2	1.1	147		280	415	3000	3700	NU2026EMA	143	149	167	217		1	1	4.95
	230	40	3	3		204	376	465	2200	2800	N226M	143	200		217	207	2.5	2.5	7.08
	230	40	3	3		209.5	394	495	2200	2800	N226E	143	206		217	213	2.5	2.5	7.09
	230	64	3	3		204	580	690	2200	2800	N2226M	143	200		217	209	2.5	2.5	11.6
	230	64	3	3	153.5		580	735	2200	2800	NU2226EM	143	150	159	217		2.5	2.5	11.5
	280	58	4	4		243	600	690	1800	2200	N326M	146	239		264	247	3	3	17.8
	280	58	4	4	167		690	795	1800	2200	NU326EM	146	163	170	264		3	3	15.8
	280	93	4	4		243	870	1180	1800	2200	N2326M	146	240		264	246	3	3	29.0
	280	93	4	4	167		900	1200	1800	2200	NU2326EM	146	161	185	264		3	3	29.3
	340	78	5	5	185		941	1110	1800	2200	NU426M	150	180	190	320		4	4	39.5
140	190	30	1.5	1.1	158		184	315	3000	3600	NF2928M	146.5	155	161	181		2	1	2.59
	210	33	2	2	158		195	290	3000	3600	NJ1028M	146.5	155	161	200		2	2	4.01
	210	53	2	1.1	158		358	630	2600	3400	NU3028M	147	154	162	200		2	1	7.64
	250	42	3	3		221	390	490	2400	3000	N228M	153	218		237	225	2.5	2.5	9.14
	250	42	3	3		225	428	530	2400	3000	N228E	153	221		237	232	2.5	2.5	9.01
	250	68	3	3	169		603	755	2000	2600	NU2228M	153	164	172	237		2.5	2.5	14.4
	250	68	3	3		225	622	840	2000	2600	N2228E	154	218	224	236		2.5	2.5	14.2
	300	62	4	4		260	710	810	1900	2400	N328M	156	256		284	264	3	3	21.9
	300	62	4	4	180		740	880	1800	2200	NU328EM	156	176	183	284		3	3	21.8
	360	82	5	5	196		1010	1200	1800	2200	NJ428M	160	192	219	340		4	4	46.3
	300	102	4	4		260	1140	1310	1800	2200	N2328M	156	256		284	264	3	3	34.6
150	225	35	2.1	1.5	169.5		212	310	2600	3200	NJ1030M	159	166	178	214		2	2	5.05
	270	45	3	3		238	430	570	2000	2600	N230M	163	234		257	242	2.5	2.5	11.6
	270	45	3	3		242	484	610	1900	2400	N230E	163	238		257	246	2.5	2.5	11.5
	225	56	2.1	2.1	169.5		363	620	2400	3000	NU3030M	159	166	172	214		2	2	7.99
	270	73	3	3	182		698	980	1900	2400	NJ2230E	163	177	197	257		2.5	2.5	18.1
	320	65	4	4		277	826	890	1700	2000	N330M	166	272		304	282	3	3	26.5
	320	65	4	4	193		855	1010	1700	2000	NJ330EM	166	189	213	304		3	3	26.2

Single Row Cylindrical Roller Bearings



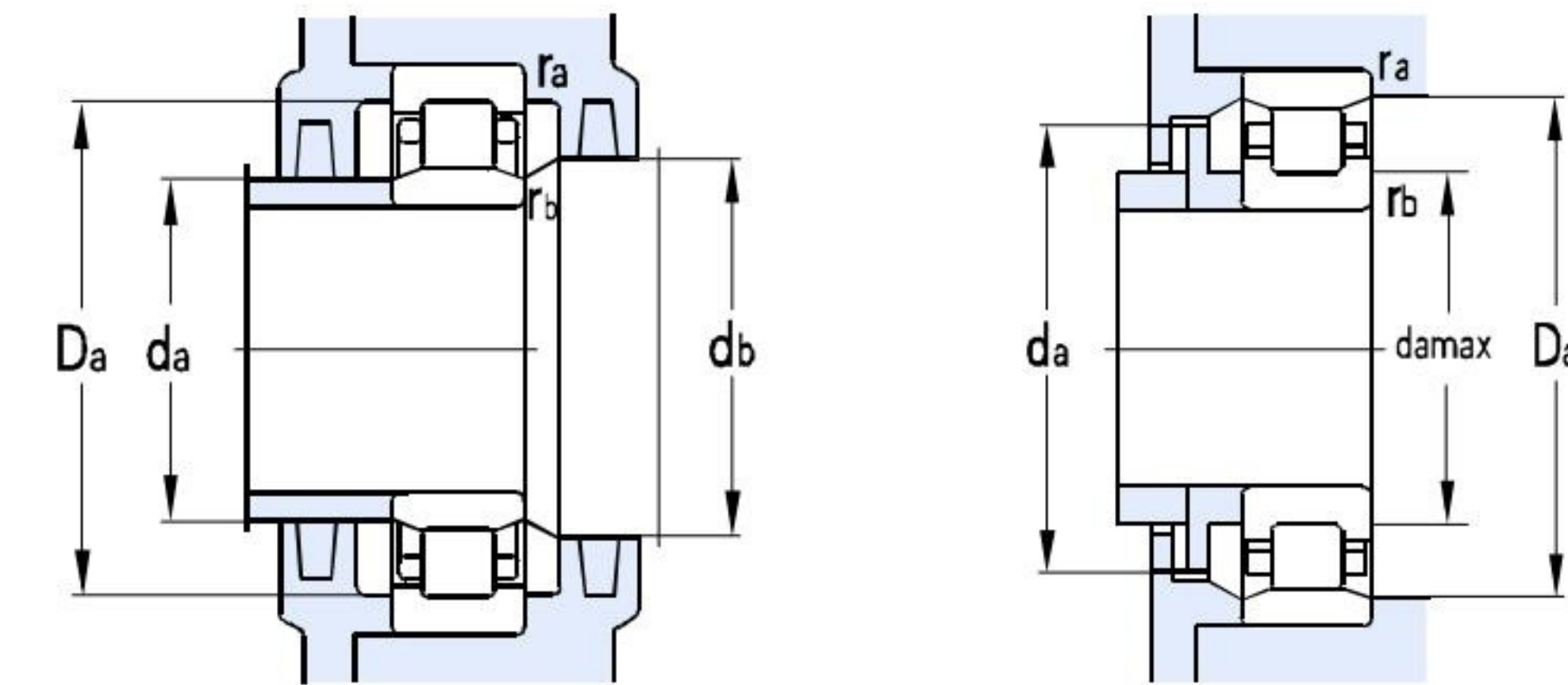
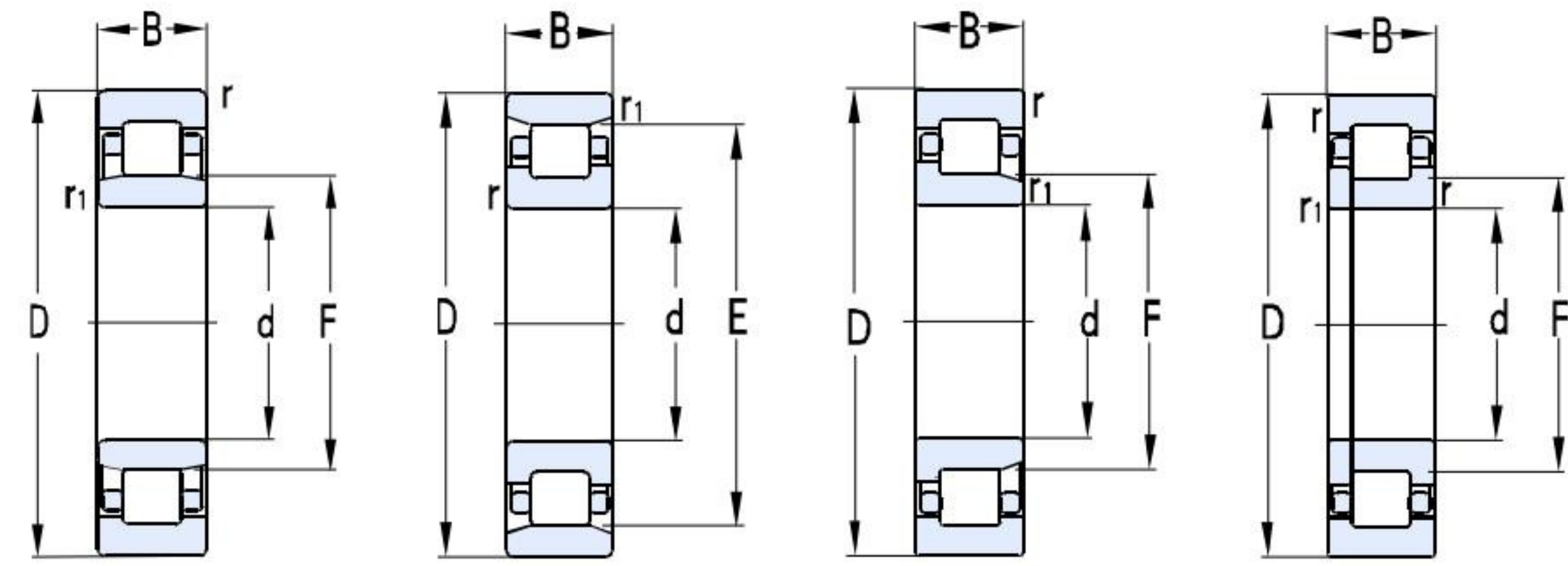
Basic Dimensions							Basic Load Ratings		Limit Rotational Speed		Bearing Part Number	Mounting Dimensions						Weight	
d	D	B	rsmin	r1smin	F	E	Cr	Cor	Grease	Oil		da min	da max	db min	Da max	Da max	ra max	rb max	
mm							KN		r/min			mm						Kg	
	320	108	4	4	193		1300	1480	1700	2000	NU2330M	166	186	196	304		3	3	41.5
	320	108	4	4		277	1300	1420	1700	2000	N2330M	166			304	284	3	3	42.8
	320	128	4	4	193		1320	1880	1400	1800	NJ3330M	166	189	213	304		3	3	49.9
160	220	36	2	2	173		255	435	2500	3200	NJ2932M	169	171	181	211		1.5	1.5	4.17
	240	38	2.1	2.1		220	260	365	2400	3000	N1032M	168	217		232	223	2	2	5.96
	290	48	3	3		257	556	655	1800	2200	N232M	173	255		277	263	2.5	2.5	14.3
	290	48	3	3	195		556	695	1800	2200	NU232EM	173	191	198	277		2.5	2.5	14.3
	290	80	3	3	193		883	1190	1800	2200	NU2232EM	173	189	196	277		2.5	2.5	24.2
	290	80	3	3	195		810	1000	1800	2200	NJ2232M	173	189	196	277		2.5	2.5	23.9
	340	68	4	4		292	950	1026	1500	1800	N332M	176	288		324	296	3	3	30.8
	340	68	4	4	204		950	1150	1500	1800	NU332EQ1	176	200	207	324		3	3	27.8
	340	114	4	4		292	1187	1610	1350	1700	N2332M	176	200	209	324		3	3	51.6
	340	114	4	4	204		1260	1730	1350	1700	NU2332EM	176	200	209	324		3	3	52.4
170	230	28	2	1.1		216	193	310	2400	2900	N1934M	180		213	222	219	1.5	1	3.64
	260	42	2.1	2.1		237	299	400	2200	2800	N1034M	181	233		249	241	2	2	8.02
	310	52	4	4		272	660	780	1800	2200	N234M	186	266		294	278	3	3	18.2
	310	52	4	4	207		660	870	1800	2200	NU234EM	186	203	210	294		3	3	18.4
	310	86	4	4	205		1000	1480	1800	2200	NU2234EM	186	201	208	294		3	3	29.0
	310	86	4	4	208		1000	1480	1800	2200	NU2234M	187	203	211	293		3	3	30.5
	340	114	4	4		292	1120	1610	1500	1800	N2332M	176	288		324	295	3	3	51.6
	360	72	4	4		310	904	1040	1400	1700	N334M	186	307		344	315	3	3	37.3
	360	120	4	4	220		1380	1850	1400	1700	NJ2334M	186	212	240	344		3	3	62.5
180	250	33	2	1.1		233	237	380	2200	2800	NF1936M	190			240	236	1.5	1.5	4.96
	280	31	2	2		250	270	420	2000	2400	N036M	191	246		269	254	2	2	8.59
	280	31	2	2		250	270	420	2000	2400	N036L	191	246		269	254	2	2	7.08
	280	31	2	2		260	330	472	2000	2400	N036EM	191	246		269	254	2	2	7.15
	280	46	2.1	2.1		255	380	565	2000	2600	N1036M	191	221		265	260	2	2	10.3
	320	52	4	4		282	685	785	1700	2000	N236M	196	278		304	286	3	3	19.7
	320	86	4	4	215		1100	1580	1700	2000	NU2236M	196	211	218	304		3	3	31.4
	320	112	4	4	218		1120	1950	1700	2000	NU3236M	196	211	218	304		3	3	41.6
	380	75	4	4		330	990	1260	1500	1800	N336M	196	325		364	335	3	3	39.6
	380	75	4	4	231		1170	1360	1500	1800	NU336EM	196	226	236	364		3	3	42.1
	380	126	4	4	232		1530	1850	1300	1600	NJ2336M	196	227	255	364		3	3	72.0

Single Row Cylindrical Roller Bearings



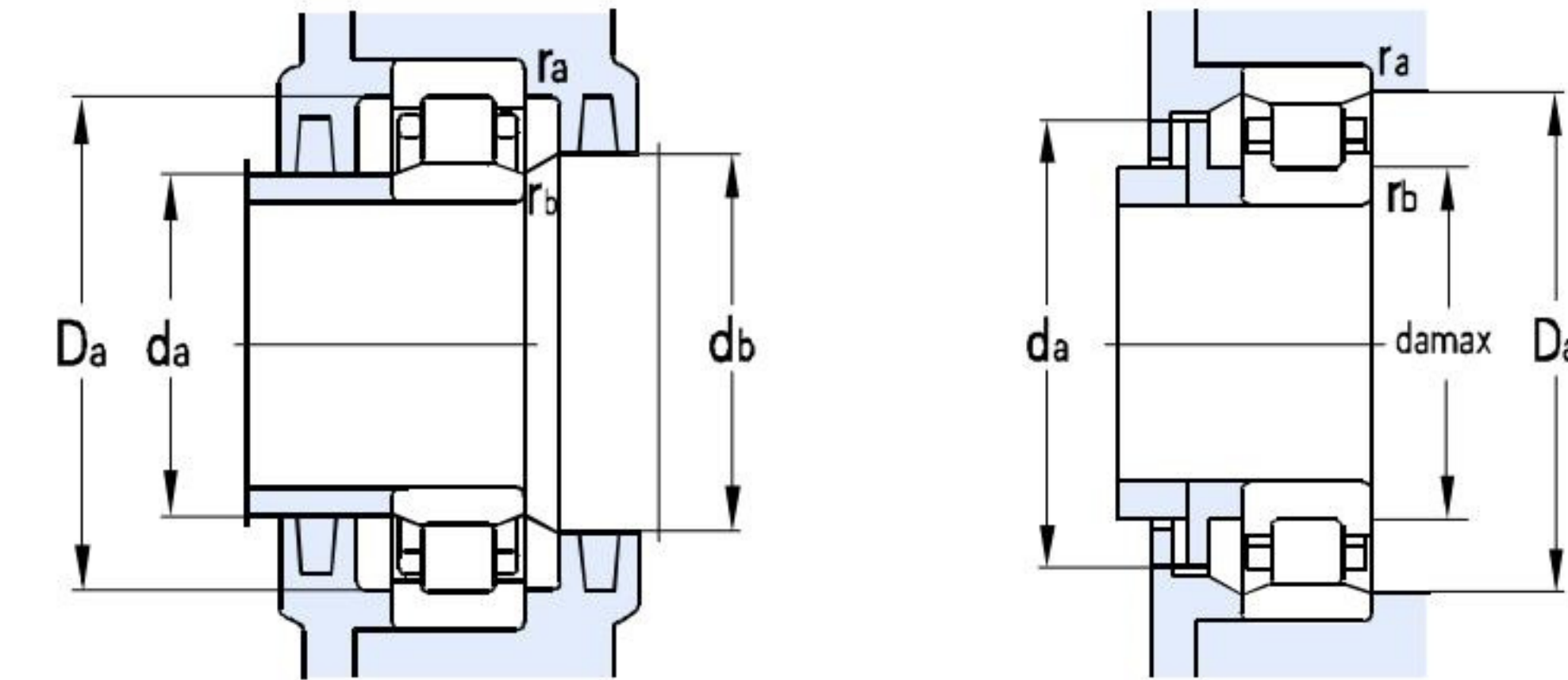
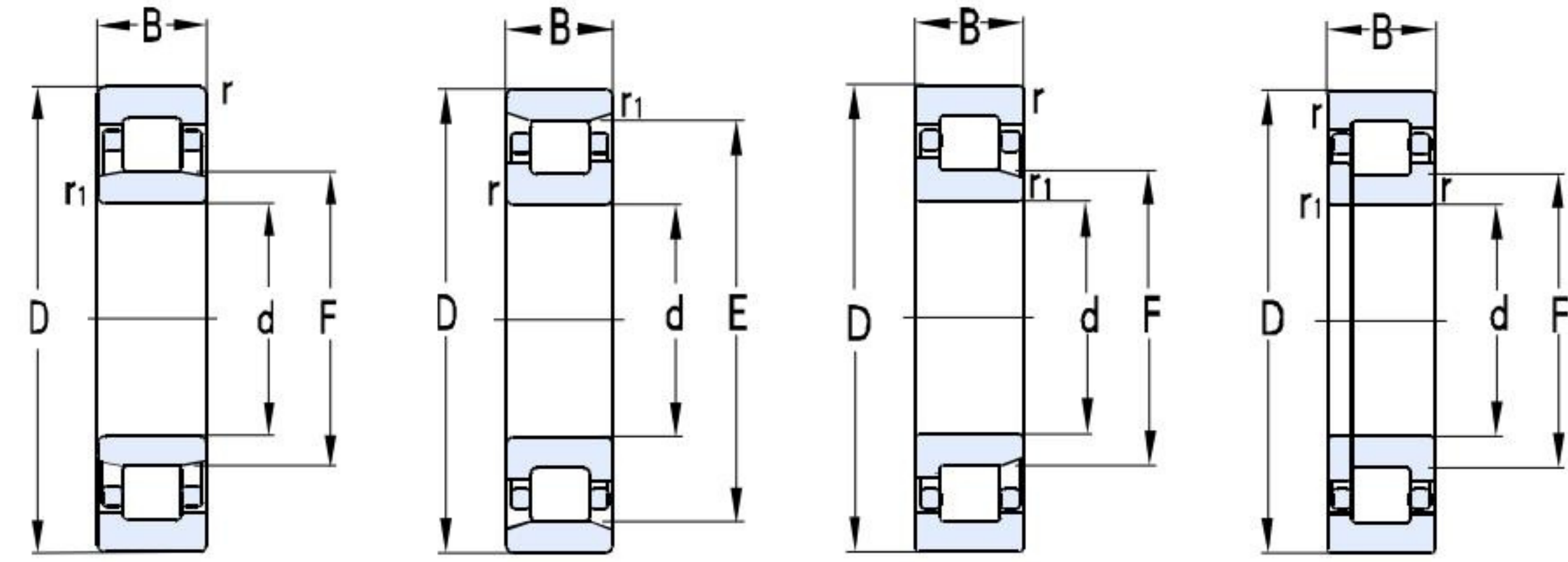
Basic Dimensions							Basic Load Ratings		Limit Rotational Speed		Bearing Part Number	Mounting Dimensions						Weight	
d	D	B	rsmin	r1smin	F	E	Cr	Cor	Grease	Oil		da min	da max	db min	Da max	Da max	ra max		rb max
mm							KN		r/min			mm							Kg
190	260	42	2	2	208		315	610	2200	2800	NJ2938	196	206	210	252		1.5	1	7.24
	290	46	2.1	2.1	215		413	640	2000	2600	NU1038M	201	212	218	279		2	2	10.9
	340	55	4	4	231		730	916	1600	1900	NU238M	206	226	234	324		3	3	21.6
	400	78	5	5		345	1080	1730	1200	1500	N338M	210	340	380	350		4	4	50.2
	400	132	5	5	240		1870	2450	1200	1500	NU2338EMA	210	235	249	380		4	4	82.8
200	310	34	2	2		277	336	545	2200	2800	N040M	211	274		299	280	2	2	10.1
	310	51	2.1	2.1	227		468	705	1900	2400	NU1040M	211	225	233	299		2	2	14.3
	320	48	2.1	2.1		283	473	705	1900	2400	N640M	211	280		299	286	2	2	14.7
	360	58	4	4		316	808	995	1500	1800	N240M	216	310		344	322	3	3	26.8
	360	98	4	4	244		1200	1710	1500	1800	NJ2240M	216	236	260	344		3	3	45.5
	360	98	4	4		325	1300	1900	1500	1800	N2240EM	216	320		344	330	3	3	44.9
	420	80	5	5	260		1090	1400	1300	1600	NU340M	220	253	264	400		4	4	56.7
	420	138	5	5		364	1880	2510	1200	1500	N2340M	220	360		400	368	4	4	94.5
	420	165	5	5	260		2150	3540	1200	1500	NU3340M	220	253	264	400		4	4	118
220	300	48	2.1	2.1	240		407	755	1900	2400	NJ2944M	229	237	243	289		2	1	10.8
	340	56	3	3	250		534	810	1800	2200	NJ1044M	233	246	265	327		2.5	2.5	19.6
	340	90	3	3	251.409		1060	1820	1800	2200	NU3044Q1/HA	233	246	254	327		2.5	2.5	32
	400	65	4	4		350	1000	1220	1500	1800	N244M	236	342		384	358	3	3	36.7
	400	108	4	4	270		1500	1990	1300	1600	NU2244M	236	262	274	384		3	3	62.2
	400	144	4	4	270		1950	3350	1500	1800	NB3244F1	236	263	276	384		3	3	77.3
	400	108	4	4	265		1490	2280	1300	1600	NU2244EM/HC	237	255	264	383		3	3	62.8
	400	108	4	4		350	1440	1990	1300	1600	N2244M	237	255	360	383		3	3	61.8
	460	88	5	5	284		1280	1730	1000	1300	NU344M	240	277	288	440		4	4	73.4
	460	145	5	5	284		2260	3270	1000	1300	NU2344M	240	276	288	440		4	4	125
	460	145	5	5		407	2300	3360	1000	1300	N2344EM	240	403		440	411	4	4	114
240	320	38	2.5	1.8	260		308	540	1900	2400	NU1948M	249	257	263	308		2	1.5	8.50
	360	56	3	3	270		512	775	1700	2000	NU1048M	253	266	274	347		2.5	2.5	20.5
	440	72	4	4	295		1050	1540	1300	1600	NU248M	256	288	299	424		3	3	46.9
	440	72	4	4		385	1050	1540	1300	1600	N248M	256	288	317	424		3	3	49.1
	440	120	4	4	295		1490	2450	1200	1500	NU2248MA	256	284	299	423		3	3	84.8
	440	146	4	4	290		2240	3820	1100	1400	NU5248	256	287	293	424		3	3	104
	500	95	5	5		430	1530	2120	1000	1300	N348M	260	426		480	434	4	4	96.3
	500	95	5	5	306		1670	2190	1000	1300	NU348EM	260	296	313	480		4	4	94.9
	500	155	5	5	310		2470	3460	950	1200	NU2348M	260	296	314	480		4	4	154

Single Row Cylindrical Roller Bearings



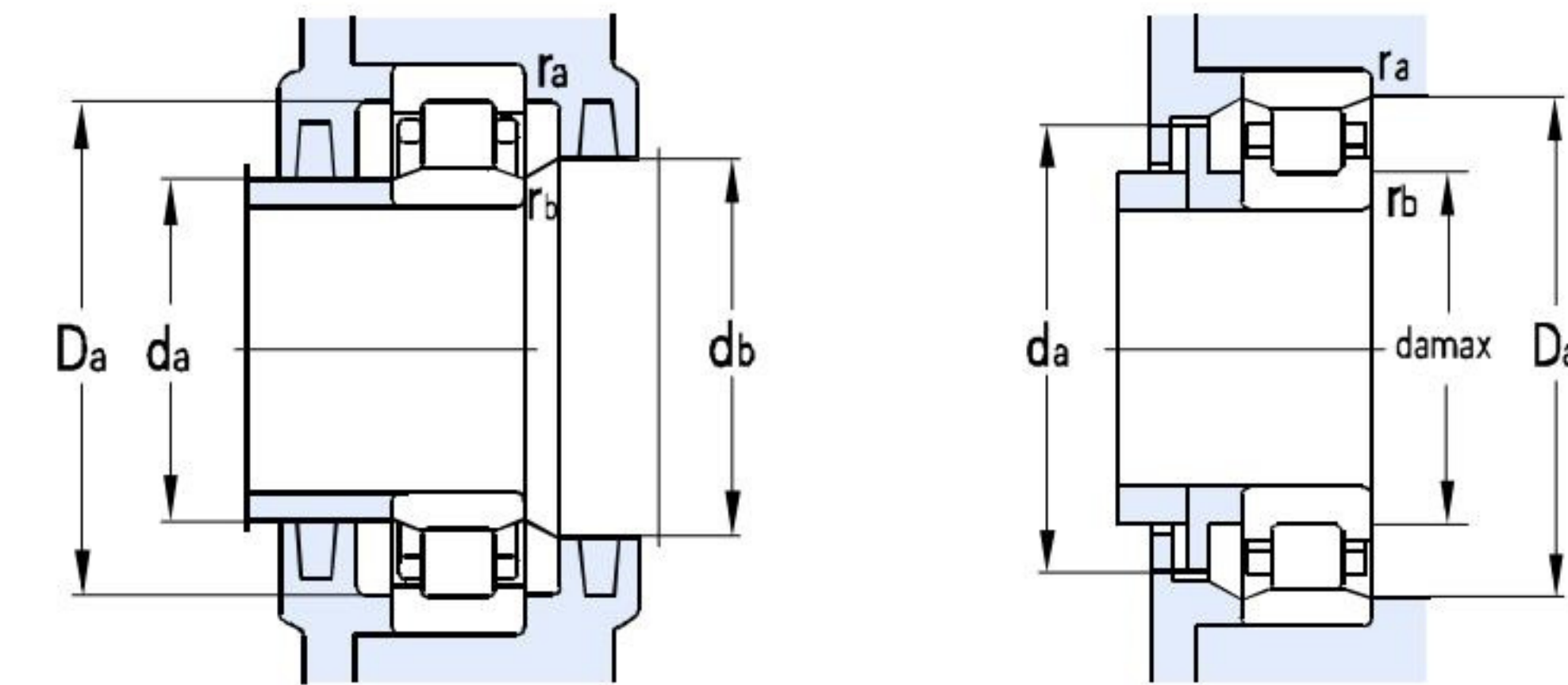
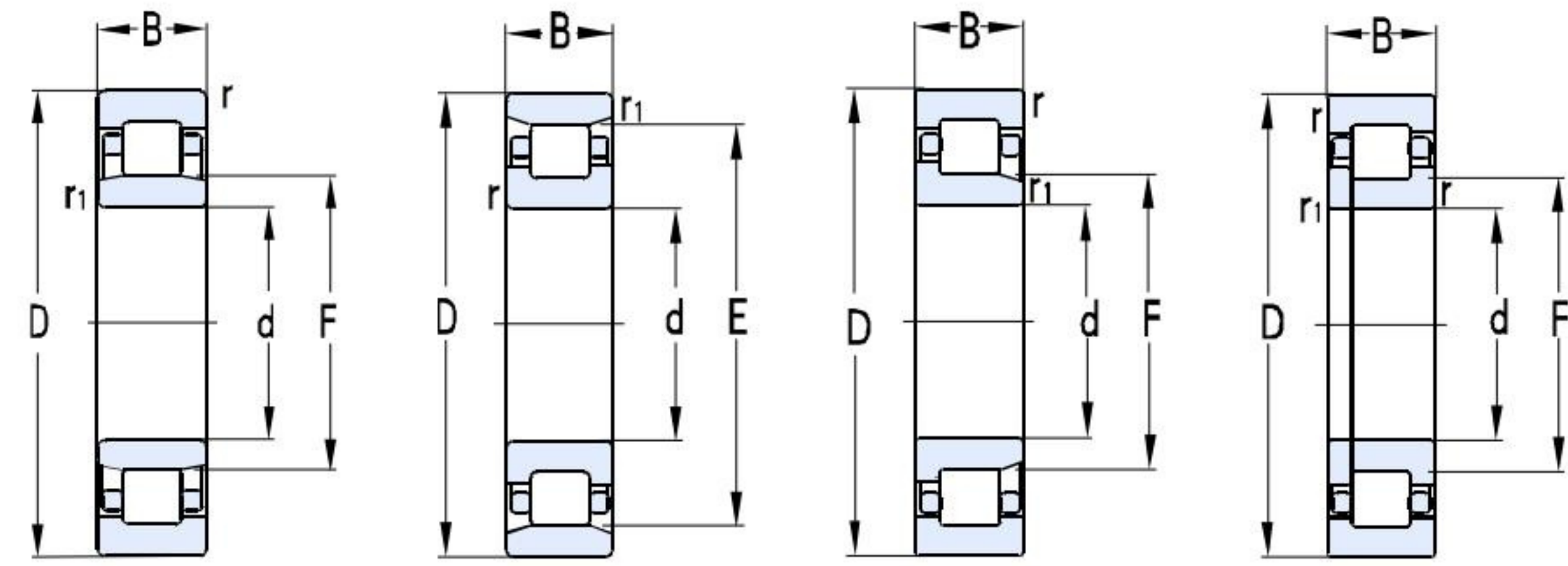
Basic Dimensions							Basic Load Ratings		Limit Rotational Speed		Bearing Part Number	Mounting Dimensions						Weight	
d	D	B	rsmin	r1smin	F	E	Cr	Cor	Grease	Oil		da min	da max	db min	Da max	Da max	ra max		rb max
mm							KN		r/min			mm						Kg	
250	308	50	6	2.3			655	1050	1800	2300	N650EM/HA	268	343		368	351	5	2	21.4
260	360	46	2.1	2.1		337	445	785	1600	1850	NF1952M	276	280	295	384		3	3	14.9
	400	65	4	4		347	690	1090	1500	1800	NU1052M	276	291	300	384		3	3	30.2
	400	82	4	4	294		1080	1880	1300	1700	NU2052EM	276	291	300	384		3	3	40.1
	400	104	4	4	290.5		1350	2340	1150	1450	NU3052M	275	286	295	385		3	3	49.5
	440	144	4	4	298.5		2050	3450	950	1250	NU3152M	277	295	302	423		3	3	98
	480	80	5	5	320		1220	1800	1100	1400	NU252M	280	313	324	460		4	4	67.1
	480	130	5	5		420	1780	2910	950	1250	N2252M	280	416	427	460		4	4	105
	540	102	6	6	336		1843	2560	850	1050	NU352M	286	330	341	514		5	5	120
540	165	6	6	319		3150	4500	850	1050	NU2352M	286	310	323	514		5	5	188	
280	340	30	2	2		327	308	690	1800	2200	N1856X3M/HG2	289		324	330	330	2	2	5.76
	350	42	2	2	299		363	790	1800	2200	NJ2856M	289	309	324	330		2	2	9.15
	360	30	2	2	301		385	625	1700	1900	NJ1856X3M/HG2	289	309	334	340		2	2	8.11
	380	46	2.1	2.1	306		473	865	1700	1900	NU1956M	291	303	309	369		2	2	15.5
	420	65	4	4		384	700	1150	1400	1700	N1056M	296	380		411	388	3	3	31.5
	420	82	4	4	314		1190	2170	1050	1300	NU2056M	295	310	318	405		3	3	39.5
	460	146	5	5	321		2250	3900	900	1150	NU3156M	300	316	325	440		4	4	106
	500	80	5	5	340		1100	1750	1150	1450	NJ256M	300	333	364	480		4	4	71.5
	500	130	5	5	333		2080	3270	1100	1400	NU2256EM	300	333	344	480		4	4	118
	580	108	6	6	362		1880	2660	850	1000	NU356M	306	347	366	554		5	5	147
580	175	6	6	362		2560	4250	900	1100	NU2356M	306	347	366	554		5	5	232	
300	380	48	2.1	2.1	321		450	1000	1370	1650	NJ2860M	310	318	332	370		1.5	1.5	15.5
	380	60	2.1	2.1		360	468	990	1200	1500	N3860M/HG2	316	335		444	440	4	4	16.6
	460	74	4	4	340		935	1510	1200	1500	NJ1060M	316	335	358	444		3	3	45.1
	460	95	4	4	341		1400	2510	980	1250	NU2060M	317	336	345	443		3	3	60
	460	118	4	4	340		1470	2700	1200	1500	NU3060M	316	335	344	444		3	3	72.5
	540	85	5	5	364		1510	2270	1000	1300	NU260M	320	358	368	520		4	4	86.9
	540	140	5	5	364		2080	3450	1000	1200	NU2260M	320	352	368	520		4	4	146
	620	109	7.5	7.5	385		2310	3300	900	1100	NU360M	330	379	390	590		7	7	166
620	185	7.5	7.5	371		3860	5850	830	1000	NU2360M	332	365	375	588		6	6	271	
320	400	38	2.1	1.5	341		365	715	1270	1550	NU1864M	327	337	345	389		2	1.5	11.3
	400	48	2.1	1.5	341		490	1050	1250	1550	NU2864M	327	337	345	389		2	1.5	15
	440	56	3	3	350		638	1130	1100	1400	NU1964M	335	346	354	425		2.5	2.5	24.7

Single Row Cylindrical Roller Bearings



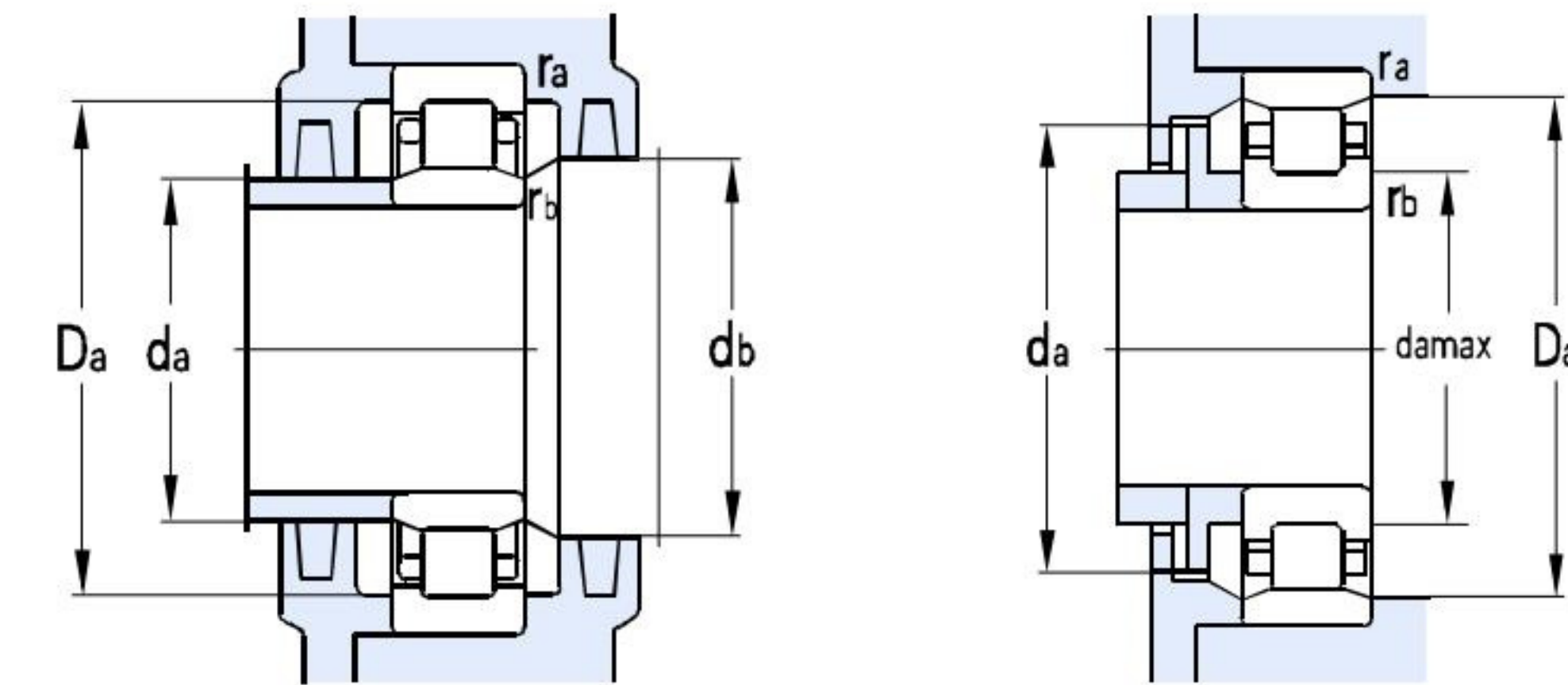
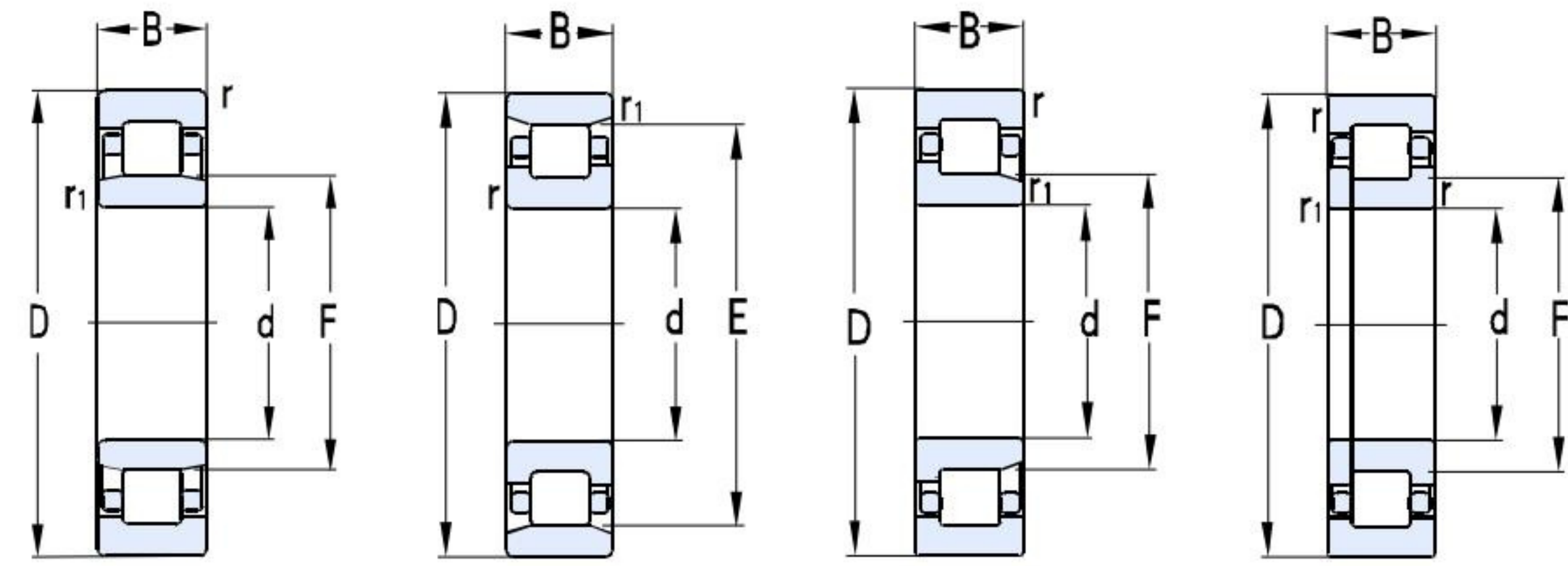
Basic Dimensions							Basic Load Ratings		Limit Rotational Speed		Bearing Part Number	Mounting Dimensions						Weight	
d	D	B	rsmin	r1smin	F	E	Cr	Cor	Grease	Oil		da min	da max	db min	Da max	Da max	ra max	rb max	
mm							KN		r/min			mm						Kg	
	480	74	4	4	360		960	1580	1100	1400	NJ1064M	336	355	380	464		3	3	47.8
	480	95	4	4	360		1380	2650	970	1250	NU2064M	335	357	364	465		3	3	63
	480	121	4	4	360		1540	2910	1100	1400	NU3064M	336	335	380	464		3	3	78.1
	540	176	5	5	374		2780	5000	870	1050	NU3164M	367	369	387	490		4	4	172
	580	92	5	5	390		1620	2450	960	1200	NU264M	340	383	394	560		4	4	112
	580	150	5	5	380		3030	4750	900	1100	NU2264EM	340	377	394	560		4	4	181
340	420	48	2.1	2.1	361		490	1150	1150	1450	NJ2868M	350	357	372	410		2		15.5
	460	56	3	3	370		700	1400	1050	1350	NU1968M	353	365	374	447		2.5	2.5	28.3
	460	72	3	3	373		785	1650	1050	1350	NU2968M	353	369	377	447		2.5	2.5	36.2
	520	82	5	5	385		1130	1910	1000	1300	NU1068M	360	380	389	500		4	4	65.0
	580	190	5	5	399		3300	5900	760	910	NU3168E	360	388	403	560		4	4	211
	580	190	5	5	400		3550	6650	760	910	NU3168	360	388	403	560		4	4	211
	620	165	6	6	416		2950	4900	810	950	NU2268M	366	401	421	594		5	5	225
	620	224	6	6	410		4600	8600	810	950	NU3268	366	401	421	594		5	5	307
360	480	72	3	3	388		1220	2300	1100	1300	NJ2972E	380	400	380	464		4	4	38.1
	540	82	5	5	405		1190	2000	980	1280	NU1072M	378	400	410	522		4	4	65.9
	540	106	5	5	405		1890	3560	870	1050	NU2072M	380	399	410	520		4	4	89.5
	540	134	5	5	405		2060	4050	800	1000	NU3072M	381	400	410	520		4	4	112
	600	192	5	5	420		3520	6500	900	1000	NU3172	373	417		587	423	4	4	219
	650	170	6	6	437		3150	5400	800	950	NU2272M	386	428	442	624		5	5	262
	750	224	7.5	7.5	455		4900	7600	700	850	NUP2372M	390	445	460	720		7	7	513
380	480	60	2.1	2.1	406		550	680	900	1180	N2876	390	401	410	470		2	2	25.9
	480	46	2.1	2.1	406		525	1050	950	1250	NU1876M	390	401	410	470		2	2	23.5
	520	82	4	4	425		1180	2540	920	1200	N2976M	400	419	428	490		3	3	82.8
	560	82	5	5	425		1220	2090	950	1200	NU1076M	400	420	430	540		4	4	71.0
	560	106	5	5	425		1930	3750	800	950	NU2076EM	398	422	430	542		4	4	93
	560	135	5	5	425		2250	4700	800	950	NU3076EM	398	417	430	542		4	4	116
	680	175	6	6	462		3760	6080	730	860	NU2276EM	406	445	457	654		5	5	276
400	500	46	2.1	2.1	423		565	1150	980	1250	NU1880M	410	419	428	490		2	2	21.2
	500	75	2.1	2.1	425		855	2010	980	1250	NU3880Q1	410	419	428	490		2	2	33.4
	540	65	4	4	435		900	1750	900	1150	NU1980M	415	429	439	525		3	3	42
	540	82	4	4	435		1350	2850	900	1150	NU2980EM	415	429	439	525		3	3	57.8
	540	82	4	4	438		1250	2510	900	1150	NU2980M	415	434	442	525		3	3	55.2

Single Row Cylindrical Roller Bearings



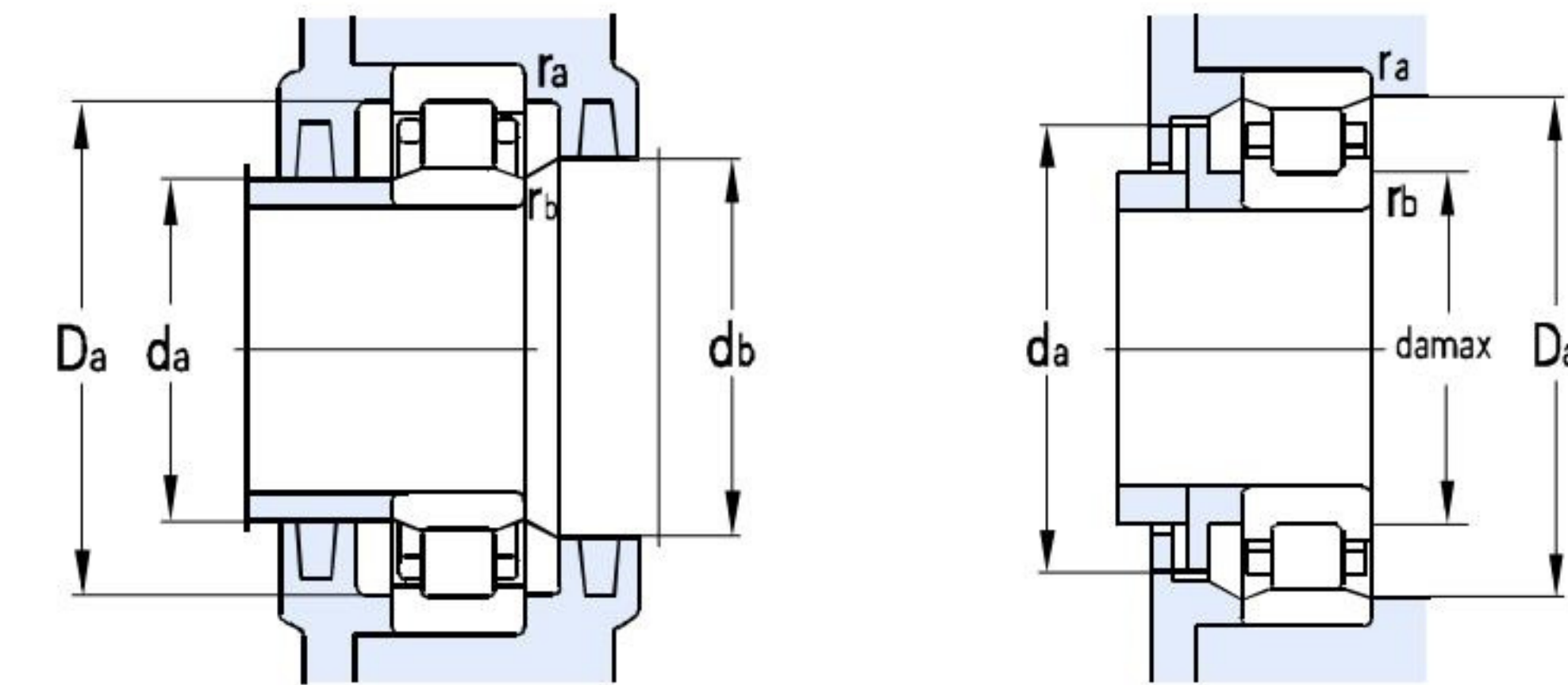
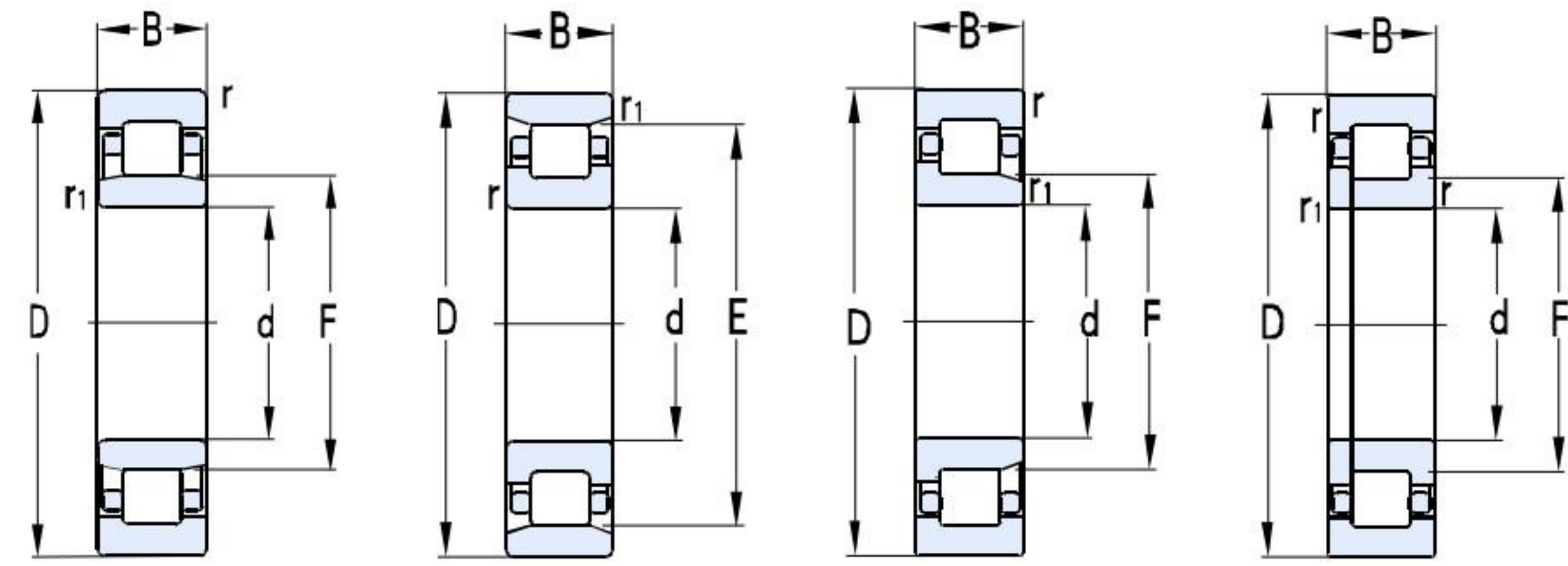
Basic Dimensions							Basic Load Ratings		Limit Rotational Speed		Bearing Part Number	Mounting Dimensions						Weight		
d	D	B	rsmin	r1smin	F	E	Cr	Cor	Grease	Oil		da min	da max	db min	Da max	Da max	ra max		rb max	
mm							KN		r/min			mm						Kg		
	600	90	5	5	450		1450	2470	900	1100	NU1080M	420	446	455	580		4	4	92.5	
	600	118	5	5	449		2150	4800	750	900	NU2080EM	418	446	454	582		4	4	122	
	600	148	5	5	450		2330	4550	900	1100	NU3080M	420	446	455	580		4	4	153	
	650	145	6	6	460		2920	5190	700	850	NU2180M	420	450	460	590		4	4	197	
	650	200	6	6	460		3760	7170	700	850	NU3180M	420	450	460	590		4	4	274	
420	520	46	2.1	2.1	447		605	1270	900	1100	NU1884	440	466	380	500		2	2	20.7	
	520	75	2.1	2.1	447		900	2250	930	1150	NJ3884M	427	441	462	510		2	2	33.3	
	560	65	4	4		528	1080	2010	930	1150	NF1984F3	435	523		530	533			45.2	
	560	65	4	4	449		1080	1950	930	1150	NJ1984MA	435	442	466	545		3		46	
	560	82	4	4	458		1290	2800	930	1150	NU2984M	435	452	463	545		3	3	58.1	
	620	90	5	5	470		1440	2490	900	1100	NU1084M	440	466	475	600		4	4	98.0	
	620	118	5	5	469		2400	4750	770	950	NU2084EM	438	466	474	602		4	4	127	
	620	150	3	5		574	2850	5450	770	950	NF3084EM	438	466		602	586		4	4	162
	700	224	6	6	485		4950	8950	650	780	NU3184EM	446	478	490	694		5	5	368	
440	540	60	2.1	2.1	464		790	1900	870	1050	NU2888EM	450	459	469	530		2	2	34.5	
	600	74	4	4	482		1010	1980	870	1050	NU1988M	455	477	487	585		3	3	65	
	600	95	4	4	481.5		1670	3550	870	1050	NJ2988EM	455	477	500	585		3		83.5	
	600	118	4	4	481.5		1940	4250	850	1000	NUP3988EM	455		483	585		3		106	
	650	94	6	6	493		1570	2430	850	1000	NU1088M	466	488	498	624		5	5	102	
	650	122	6	6	487		2450	5000	670	820	NU2088EM	463	483	492	627		5	5	146	
	720	122	6	6		648	2850	4300	800	950	N1188	466	488		690	670		5	5	207
	720	226	6	6	508		5230	9800	600	750	NU3188	460	498	518	700		5	5	374	
445	815	210	7.5	7.5	539		4800	7950	750	1100	NU689M	478	535	560	770		6	6	501	
460	580	56	3	3		553	795	1720	800	950	N1892M	473	548		567	558		2.5	2.5	37.2
	580	72	3	3	489		1030	2350	800	950	NJ2892EM	473	485	505	567		2.5		48.7	
	620	95	4	4	502		1640	3500	800	950	NJ2992	486	511	550	610		3	3	83.4	
	680	100	6	6	516		1690	2630	800	950	NU1092M	486	511	521	654		5	5	111	
	680	128	6	6	513		2700	5450	650	800	NU2092EM	483	509	518	657		5	5	166	
	680	163	6	6	516		2970	6150	650	790	NU3092M	483	496	508	657		5	5	211	
	680	163	6	6	499		3300	6340	650	790	NU3092EM	483	491	504	657		5	5	211	
	760	240	7.5	7.5	531		5450	10400	400	480	NU3192	490	526	536	730		6	6	467	
	830	165	7.5	7.5	554		4200	6800	600	720	NU1292	492	542	559	798		6	6	405	
	830	212	7.5	7.5	554		4860	8200	580	670	NU2292M	492	542	559	798		6	6	515	

Single Row Cylindrical Roller Bearings



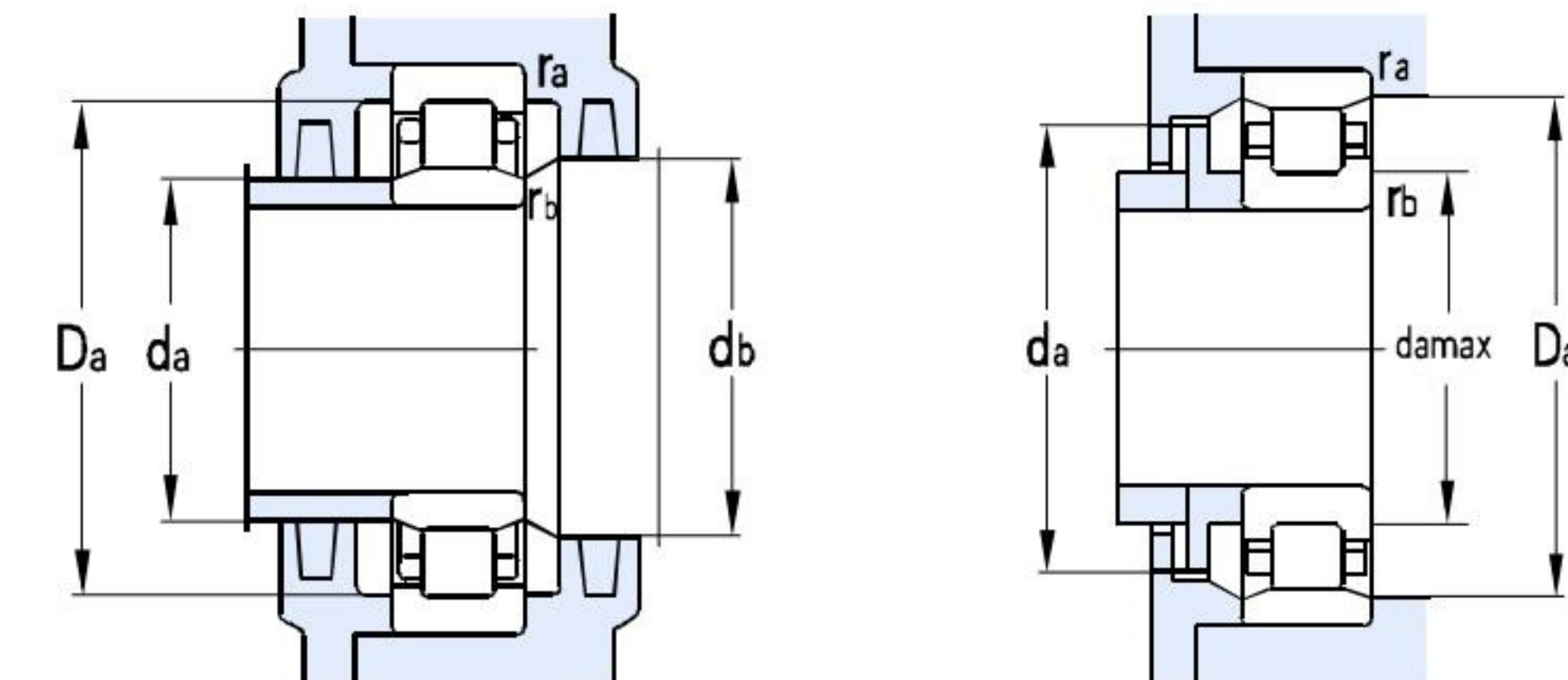
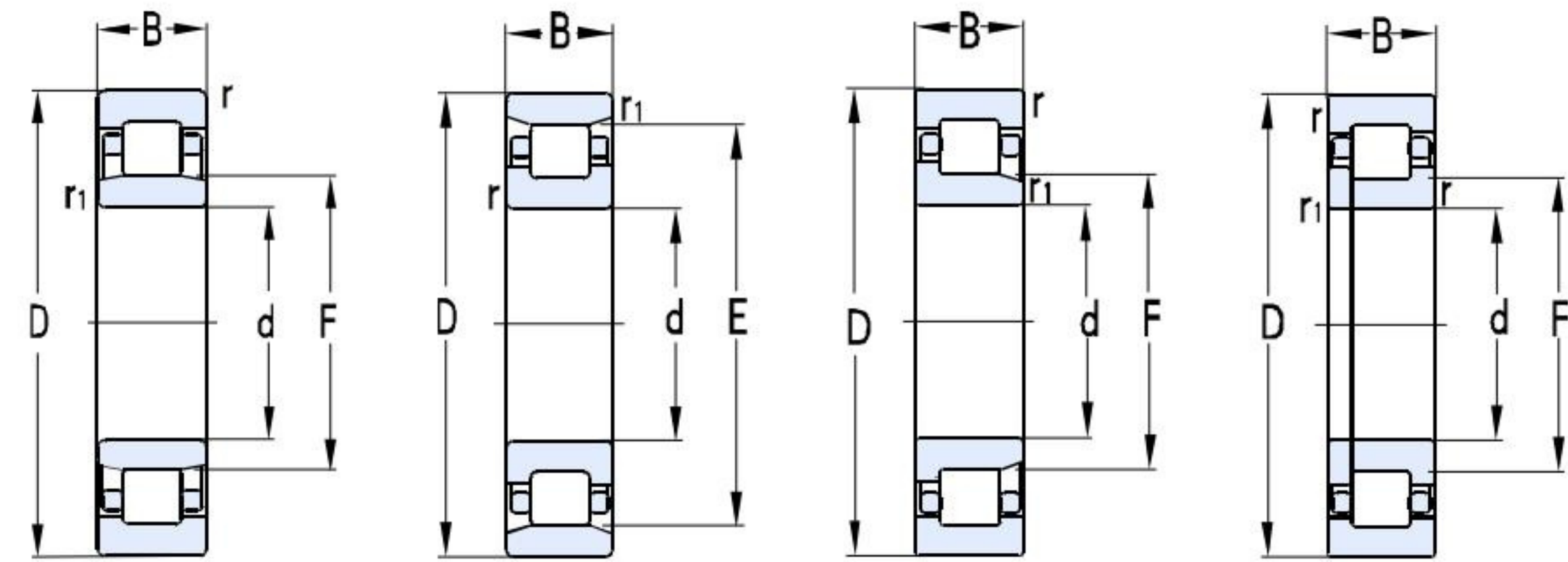
Basic Dimensions							Basic Load Ratings		Limit Rotational Speed		Bearing Part Number	Mounting Dimensions						Weight		
d	D	B	rsmin	r1smin	F	E	Cr	Cor	Grease	Oil		da min	da max	db min	Da max	Da max	ra max	rb max		
mm							KN		r/min			mm						Kg		
480	600	56	3	3	511		750	1620	840	950	NU1896M	439	507	516	587		2.5	2.5	37.5	
	600	72	3	3	509.5		1050	2400	840	950	NJ2896EM	493	504	524	587		2.5		46.5	
	700	100	6	6	536		1600	2970	720	860	NU1096M	503	531	538	677		5	5	128	
	700	128	6	6	536		2600	5250	600	720	NU2096MA	503	529	538	677		5	5	176	
	790	248	7.5	7.5	547		5650	10700	500	600	NU3196EM	512	536	552	758		6	6	495	
	790	248	7.5	7.5	556		5700	11000	500	600	NU3196M	512	545	561	767		6	6	508	
500	620	56	3	3		592	795	1700	780	940	NF18/500EM	513			607	598		2.5	38.5	
	620	72	3	3	530		1130	2670	780	940	NU28/500EM	513	526	534	607		2.5	2.5	48.5	
	670	78	5	5	544		1160	2350	720	880	NU19/500EM	518	537	549	652		4	4	80	
	670	100	5	5	543		1930	4300	750	900	NU29/500	522	537	549	648		3	3	101	
	670	128	5	5		633	2250	5150	670	840	N39/500EM	518	627	638	652		4		128	
	720	100	6	6	556		1680	3050	720	880	NJ10/500	523	550		697		5	5	136	
	720	128	6	6	553		2850	5900	620	720	NU20/500EM	523	549	558	697		5	5	175	
	720	167	6	6	556		3210	6970	620	720	NU30/500	523	530	545	697		5	5	232	
	830	264	7.5	7.5	581		6250	12200	480	580	NU31/500	532	550	580	798		6	6	602	
	920	185	7.5	7.5	603.1		5050	8450	540	650	NU12/500M	532	593	610	888		6	6	585	
530	650	72	3	3		622	1170	2890	900	1100	NF28/530	544			645	625		2.5	52.2	
	710	82	5	5	573		1500	2980	680	830	NJ19/530EM	548	568	598	692		4	2.5	94.5	
	710	106	5	5	580		2000	4800	400	500	NU29/530F3	555	585	605	585		4	4	125	
	780	112	6	6	593		2200	4050	650	780	NU10/530M	553	585	598	757		5	5	187	
	780	145	6	6	591		3650	7360	550	650	NU20/530EM	553	587	596	757		5	5	252	
	870	272	7.5	7.5	612		7500	13500	460	550	NU31/530EM	562	605	617	838		6	6	663	
560	680	56	3	3	591		810	1830	670	820	NJ18/560M	573	584	606	667		2.5	2.5	42.5	
	680	72	3	3		651	1170	2950	670	820	NF28/560	573	645		665	657		2.5	53	
	750	85	5	5	608		1660	3250	650	780	NJ19/560	578	600	613	732		4	4	111	
	750	112	5	5	607		2400	5450	650	780	NJ29/560	586	620	693	724		4	4	148	
	750	112	5	5		703	2420	5600	650	780	N29/560	586		693	724	713		4	4	138
	820	115	6	6	625		2250	4200	620	720	NU10/560M	583	617	630	797		5	5	215	
	820	150	6	6	626		3650	7600	500	600	NU20/560EM	583	616	631	797		5	5	289	
	1030	206	9.5	9.5	668		6850	11000	460	550	NU12/560MA	600	657	674	990		8	8	809	
600	730	60	3	3	632		860	2000	650	780	NU18/600EM	613	625	637	717		2.5	2.5	49.3	
	730	78	3	3	632		1250	3350	620	730	NU28/600EM	613	625	637	717		2.5	2.5	68.5	
	800	90	5	5	649		1860	3600	620	750	NU19/600	618	642	645	782		4	4	128	

Single Row Cylindrical Roller Bearings



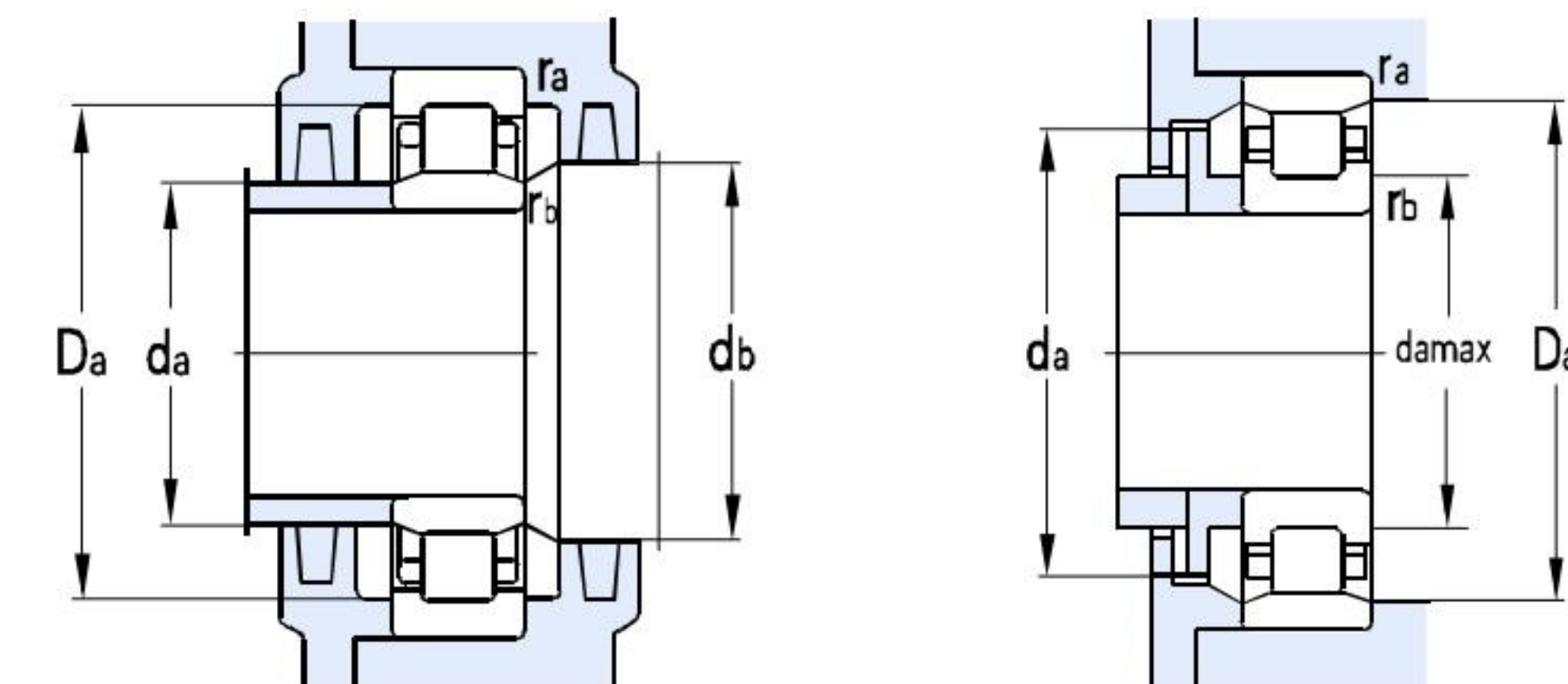
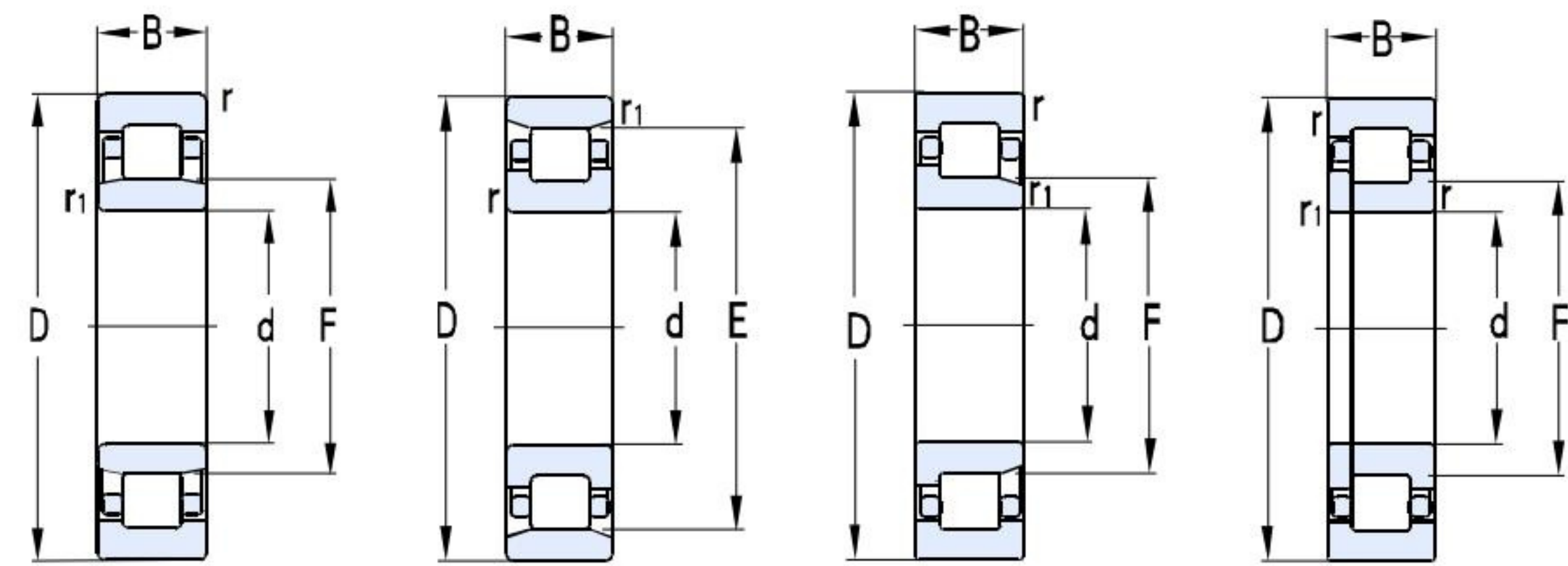
Basic Dimensions							Basic Load Ratings		Limit Rotational Speed		Bearing Part Number	Mounting Dimensions						Weight	
d	D	B	rsmin	r1smin	F	E	Cr	Cor	Grease	Oil		da min	da max	db min	Da max	Da max	ra max		rb max
mm							KN		r/min			mm						Kg	
	800	118	5	5	649		2900	6550	620	750	NU29/600E	618		675	782		4	4	163
	830	150	5	5	655		3410	7450	600	700	NU6/600	619	647	703	806		4	4	237
	870	118	6	6	667		2840	5250	590	680	NU10/600	623	658	672	847		5	5	234
	870	155	6	6	661		4180	8000	500	600	NU20/600EM	623	652	667	847		5	5	320
	870	200	6	6	661		5390	11000	500	600	NU30/600E	623	655	666	847		5	5	412
	1090	155	9.5	9.5	740		5330	9200	500	600	NU2/600MA/HC	623	655	666	1062		8	8	686
620	780	102	4	4	740		1950	4800	600	750	NFP6/620Q1	654	680	695	765		3	3	124
	780	102	4	4	740		1950	4800	600	750	N620/780	654	680	695	765		3	3	124
630	780	69	4	4	667		1050	2500	630	750	NJ18/630EM		662	685	765		3	3	74.2
	780	88	4	4		744	1800	4500	630	750	N28/630M	645	737		765	744	3	3	95.6
	780	112	4	4		745	2150	5750	550	650	N38/630M	645	739	750	765		3	3	118
	850	100	6	6	688		1980	4000	600	700	NU19/630M	653	681	694	827		5	5	158
	850	100	6	6	683		2150	4250	600	700	NU19/630EM	653	676	688	827		5	5	160
	850	128	6	6	688		3050	6950	580	680	NU29/630	653	678	689	827		5	5	210
	850	128	6	6	683		3250	7250	580	680	NU29/630EM	653	678	689	827		5	5	214
	920	128	7.5	7.5	702		3400	6250	450	530	NU10/630EM	658	691	706	892		6	6	284
	920	170	7.5	7.5	699		4700	9500	480	560	NU20/630EM	658	690	705	892		6	6	395
	920	212	7.5	7.5	699		6450	14500	450	530	NU30/630	658	690	705	892		6	6	485
670	820	69	4	4	708		1230	2800	550	650	NJ18/670		700	727	805		3		83.8
	820	112	4	4	706		2570	7000	560	670	NJ38/670Q1	640	700	727	805		3	3	133
	900	103	6	6	731		2420	4900	530	630	NU19/670	693	730	755	877		5	5	193
	980	136	7.5	7.5	747		3700	6800	430	500	NU10/670	698	736	753	952		6	6	344
	980	180	7.5	7.5	746		5400	11500	430	500	NU20/670E	698	736	752	952		6	6	477
	980	230	7.5	7.5		914	6930	15000	430	500	N30/670		908		952	919	3		594
	980	230	7.5	7.5	744		6500	14500	430	500	NU30/670M	698	736	750	952		6	6	596
700	930	160	6	6	760		3520	8500	500	600	NUP6/700	733		772	900		5	5	316
710	870	74	4	4		830	1450	3370	500	600	N8/710	725			855	835	3	3	102
	870	95	4	4		831	1880	4950	480	560	N28/710EM	725	825		855	835	3	3	128
	950	106	6	6	770		2590	5500	480	560	NU19/710	740	755		900		5	5	210
	950	140	6	6	766		3650	8250	480	560	NU29/710EM	733	760	772	927		5	5	294
	950	140	6	6	776		3000	7000	480	560	NU29/710M	733	760	772	927		5	5	291
	1030	140	7.5	7.5	778		4550	8400	420	490	NU10/710EM	738	769	783	1002		6	6	420

Single Row Cylindrical Roller Bearings



Basic Dimensions							Basic Load Ratings		Limit Rotational Speed		Bearing Part Number	Mounting Dimensions						Weight	
d	D	B	rsmin	r1smin	F	E	Cr	Cor	Grease	Oil		da min	da max	db min	Da max	Da max	ra max		rb max
mm							KN		r/min			mm							Kg
	1030	185	7.5	7.5	787		5800	12000	420	490	NU20/710EM	738	780	793	1002		6	6	535
751	920	78	5	5	794		1510	3480	480	590	N18/750M	770	784	800	900		4	4	102
	920	100	5	5		880	2160	5500	480	590	N28/750	773	875		900	885	5	5	145
	1000	112	6	6		943	2750	5750	470	550	NF19/750EM	773	938		977	953	5	5	264
	1090	150	7.5	7.5	830		4500	8500	350	415	NU10/750EM	778	823	838	1062		6	6	492
	1090	195	7.5	7.5	832		6700	14500	350	415	NU20/750EM	778	823	838	1062		6	6	634
800	980	82	5	5		936	1690	4000	430	510	NF18/800	818	930		950	942	5	5	133
	980	82	5	5	846		1700	4200	430	510	NJ18/800EM	818	838	866	962		4		144
	1150	155	7.5	7.5	883		5400	10500	320	380	NU10/800EM	828	869	889	1122		6	6	565
	1150	200	7.5	7.5	882		6900	14500	320	380	NU20/800EM	828	868	888	1122		6	6	710
820	990	72	5	5		943	1180	2960	450	530	N6/820	840	937		970	944	4	4	128
850	1030	106	5	5	902		2050	5900	410	480	NU28/850M	868	891	908	1012		4	4	192
	1120	118	6	6	919		2930	7000	390	460	NJ19/850	873	909	926	1097		5	5	326
	1120	155	6	6		1059	4500	11300	390	460	N29/850EM	873	1052		1097	1070	5	5	428
900	1090	85	5	5	949		1900	4850	370	440	NU18/900M	918	942	956	1072		4	4	172
	1090	112	5	5	949		2650	7150	370	440	NU28/900M	918	944	956	1072		4	4	234
	1090	140	5	5	945		3300	9100	350	420	NU38/900								268
	1180	122	6	6	966.5		4050	8700	350	420	NU19/900EM	923	957	973	1157		5	5	378
	1180	165	6	6	969		5750	13500	350	420	NU29/900EM	923	958	975	1157		5	5	565
	1200	150	6	6		1124	4450	10200	350	420	N6/900	923	985		1165		5	5	485
950	1250	175	7.5	7.5	1024		5560	13000	340	400	NU29/950	978	1013	1013	1222		6	6	596
1000	1220	100	6	6	1053		2650	6550	350	420	NU18/1000M	1023	1040	1060	1197		5	5	264
	1220	128	6	6	1053		3600	9500	350	420	NJ28/1000EM	1023	1040	1082	1197		5		345
	1320	185	7.5	7.5	1082		6700	17000	290	350	NU29/1000E	1028	1072	1089	1292		6	6	705
1060	1280	128	6	6		1225	3550	10500	310	370	N28/1060M	1083	1218		1257	1230	5	5	355
	1400	195	7.5	7.5	1146		7200	17000	290	350	NU29/1060EM	1028	1133	1152	1372		6	6	875
	1400	250	7.5	7.5	1146		9000	23500	250	310	NU39/1060EM	1028	1140	1153	1372		6	6	1060
	1500	325	9.5	9.5		1390	12500	32500	230	290	N30/1060	1094	1382		1466	1402	8	8	1880

Single Row Cylindrical Roller Bearings



Basic Dimensions						Basic Load Ratings		Limit Rotational Speed		Bearing Part Number	Mounting Dimensions						Weight		
d	D	B	r _{smin}	r _{1smin}	F	E	Cr	Cor	Grease		Oil	da min	da max	db min	Da max	Da max	ra max	rb max	
mm						KN		r/min			mm						Kg		
1120	1360	106	6	6	1182		3350	8600	270	330	NJ18/1120EM	1143	1175	1210	1337		5	5	330
1180	1420	106	6	6	1242		2950	7750	250	320	NJ18/1180EM	1203	1228	1270	1397		5		354
	1540	206	7.5	7.5	1258		8950	21500	180	220	NU29/1180EM	1208	1250	1266	1512		6	6	1046
	1540	272	7.5	7.5		1466	11000	28500	190	250	N39/1180M	1208	1458		1512	1474	6	6	1350
1200	1520	185	7.5	7.5	1289		6220	17000	110	140	NU6/1200	1240	1274	1304	1480		6	6	825
1250	1500	112	6	6	1316		3630	9550	300	380	NU18/1250	1280	1306	1326	1470		5	5	386
	1750	290	9.5	9.5		1635	12500	29500	165	190	N20/1250M	1284	1625		1716	1650	8	8	2310
1320	1600	122	6	6	1395		3650	9500	190	250	NU18/1320M	1343	1382	1403	1577		5	5	525
	1720	175	7.5	7.5	1425		7920	19500	190	240	NU19/1320	1348	1406	1428	1692		6	6	1110
	1720	230	7.5	7.5	1420		10900	29000	180	230	NU29/1320E	1348	1405	1430	1692		6	6	1510
	1720	300	7.5	7.5		1640	12600	32500	175	210	N39/1320M	1348	1630		1692	1655	6	6	1890
1400	1700	175	7.5	7.5		1637	6300	18400	175	210	N28/1400EM	1428	1627		1672	1647	6	6	858
1500	1820	140	7.5	7.5	1585		6220	17300	195	250	NU18/1500/HC	1528	1570	1748	1792		6	6	773